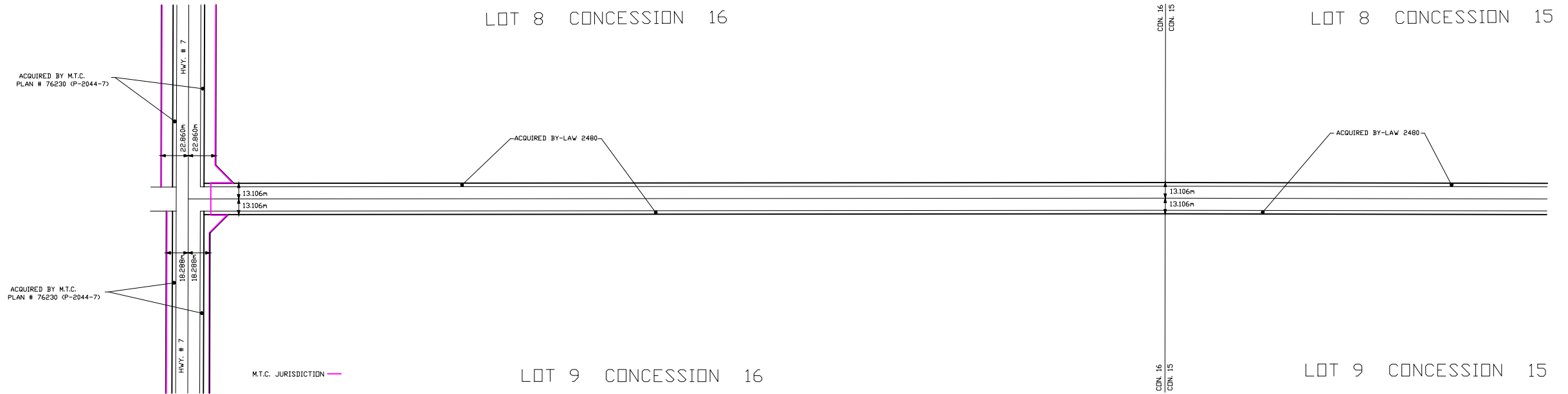


MUNICIPALITY OF NORTH MIDDLESEX
(FORMERLY TOWNSHIP OF WEST MILLIAMS)



6

30230-30

MUNICIPALITY OF NORTH MIDDLESEX
< FORMERLY TOWNSHIP OF WEST MILLIAMS >



LOT 8 CONCESSION 15

LOT 8 CONCESSION 14

ACQUIRED BY-LAW 2480

ACQUIRED BY-LAW 2480

13.106m
13.106m

13.106m
13.106m

13.106m
13.106m

LOT 9 CONCESSION 15

LOT 9 CONCESSION 14

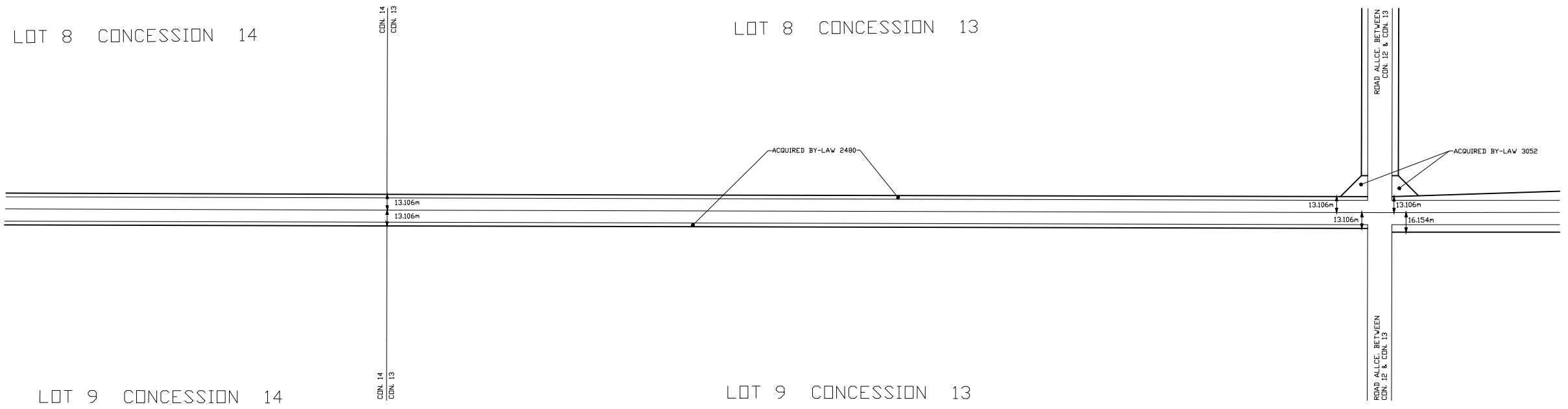
ROAD ALLCE. BETWEEN
CON. 14 & CON. 15

ROAD ALLCE. BETWEEN
CON. 14 & CON. 15

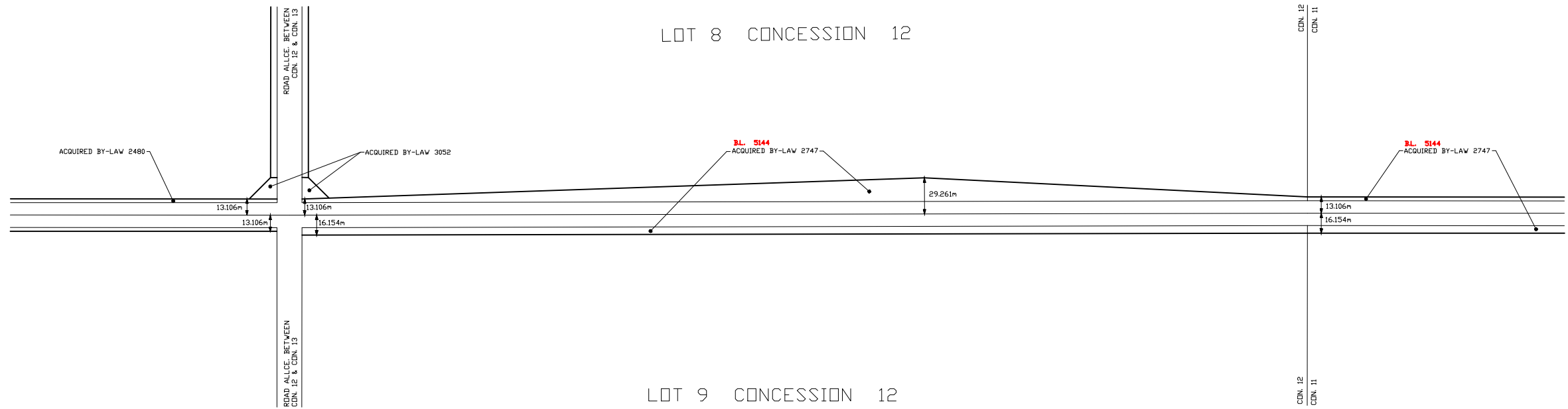
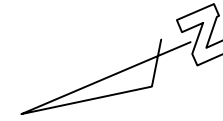
CON. 14
CON. 13

CON. 14
CON. 13

MUNICIPALITY OF NORTH MIDDLESEX
< FORMERLY TOWNSHIP OF WEST MILLIAMS >



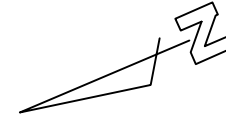
MUNICIPALITY OF NORTH MIDDLESEX
(FORMERLY TOWNSHIP OF WEST MILLIAMS)



LOT 9 CONCESSION 12

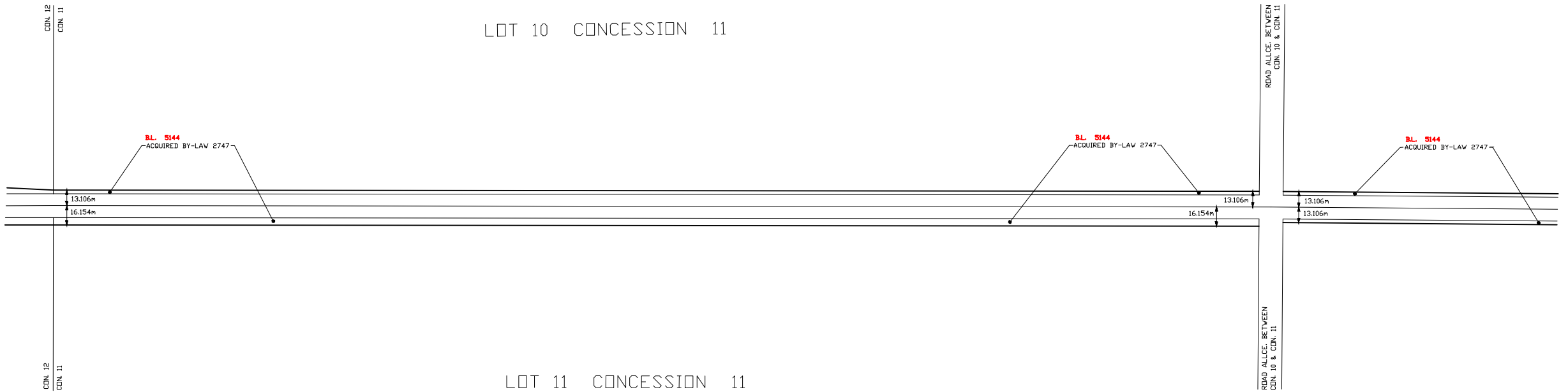
MUNICIPALITY OF NORTH MIDDLESEX

< FORMERLY TOWNSHIP OF WEST MILLIAMS >



LOT 10 CONCESSION 11

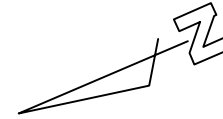
LOT 11 CONCESSION 11



6

30230-26

MUNICIPALITY OF NORTH MIDDLESEX
(FORMERLY TOWNSHIP OF WEST MILLIAMS)

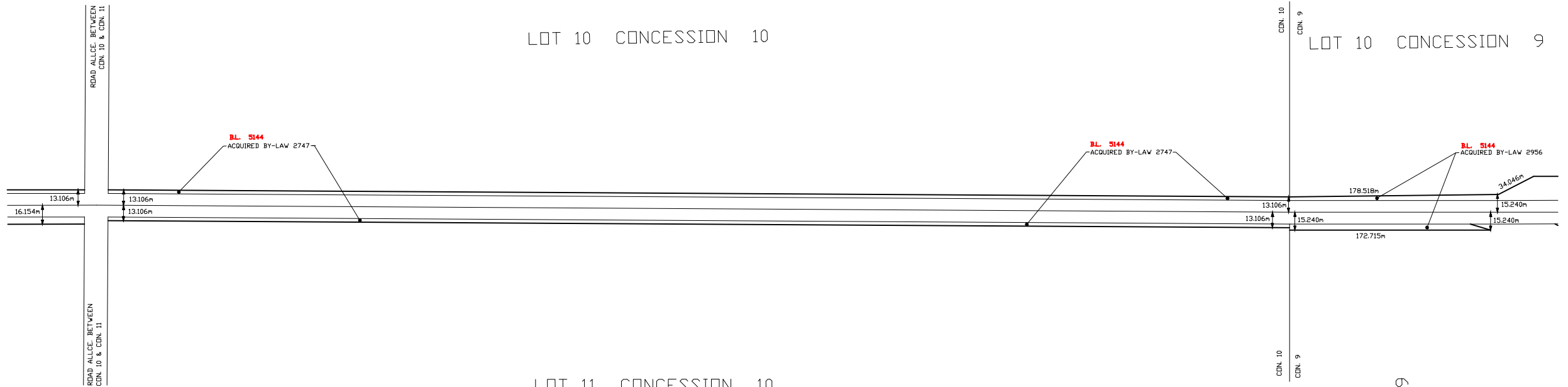


LOT 10 CONCESSION 10

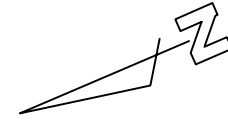
LOT 10 CONCESSION 9

LOT 11 CONCESSION 10

LOT 11 CONCESSION 9

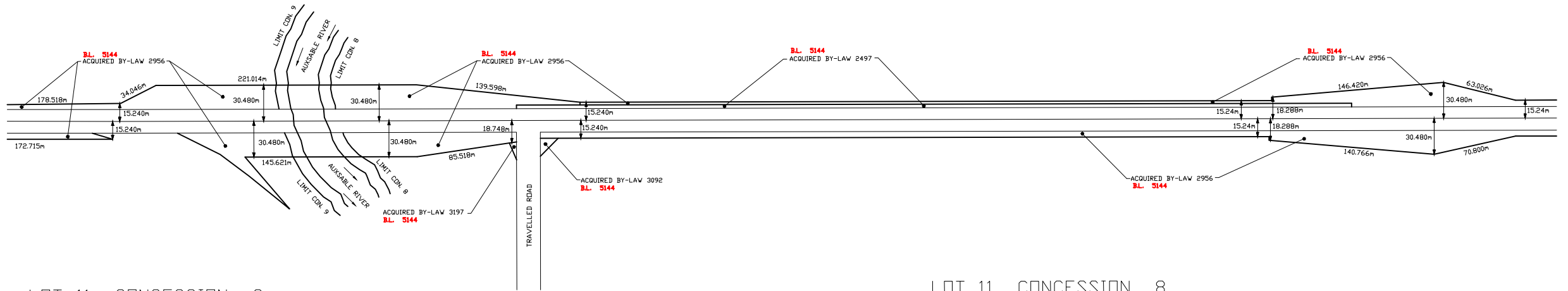


MUNICIPALITY OF NORTH MIDDLESEX
(FORMERLY TOWNSHIP OF WEST MILLIAMS)



LOT 10 CONCESSION 9

LOT 10 CONCESSION 8

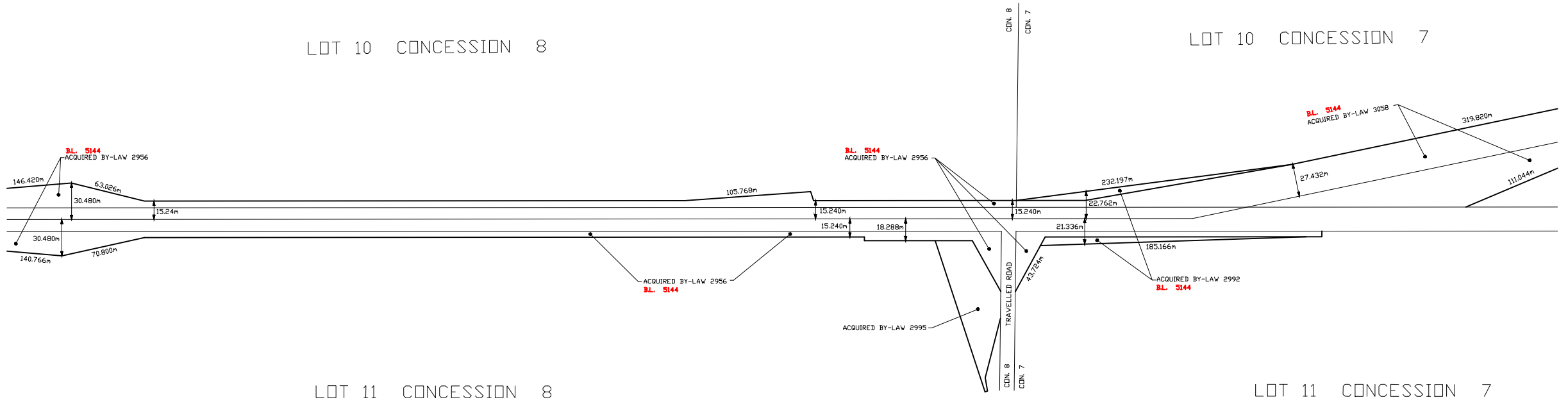


MUNICIPALITY OF NORTH MIDDLESEX
(FORMERLY TOWNSHIP OF WEST MILLIAMS)



LOT 10 CONCESSION 8

LOT 10 CONCESSION 7

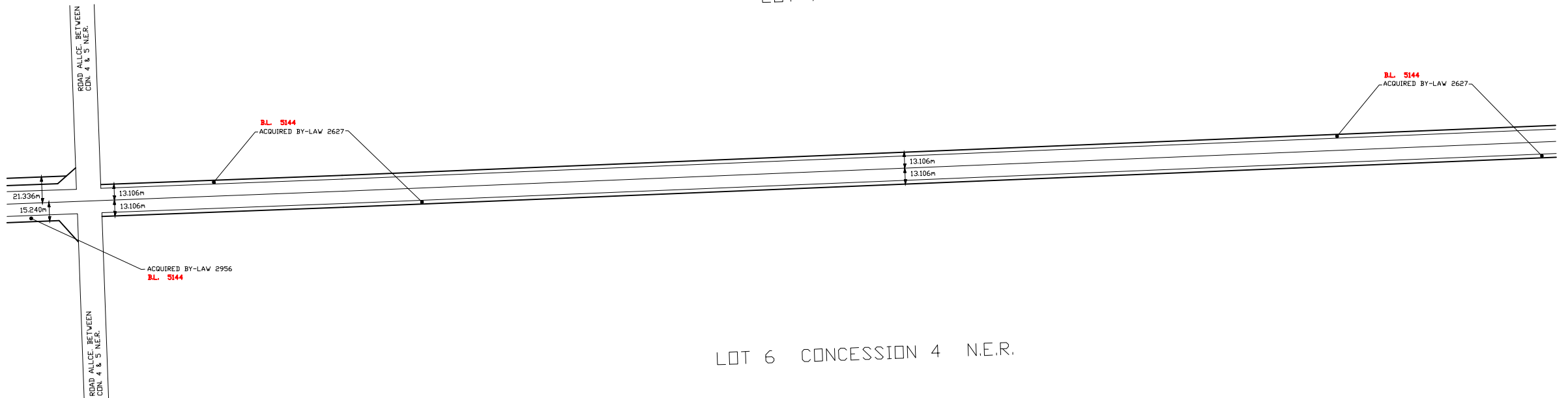


MUNICIPALITY OF ADELAIDE-METCALFE
(FORMERLY TOWNSHIP OF ADELAIDE)



LOT 7 CONCESSION 4 N.E.R.

LOT 6 CONCESSION 4 N.E.R.

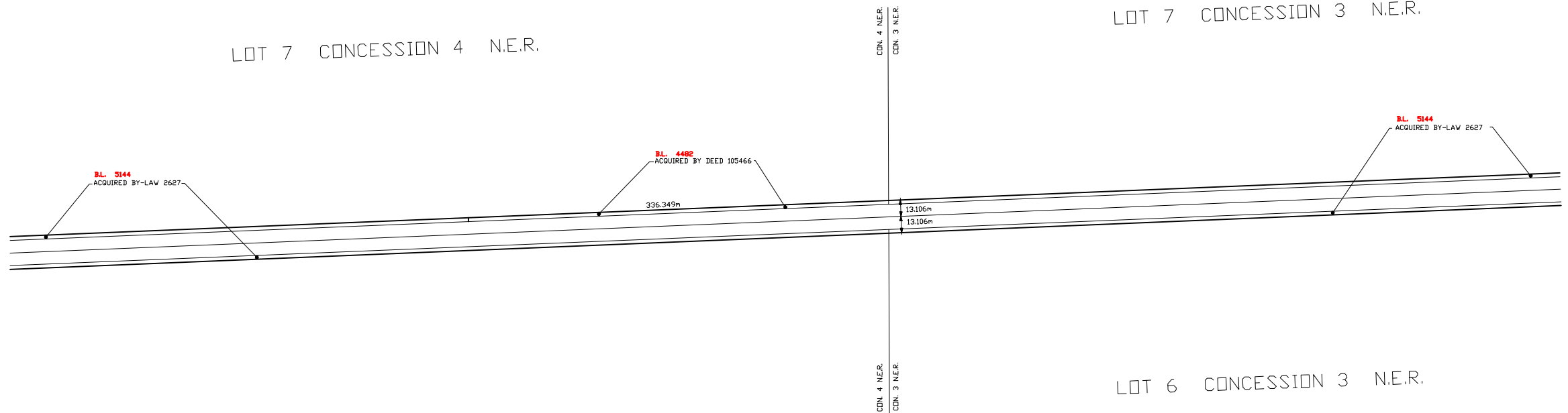


MUNICIPALITY OF ADELAIDE-METCALFE
(FORMERLY TOWNSHIP OF ADELAIDE)



LOT 7 CONCESSION 4 N.E.R.

LOT 7 CONCESSION 3 N.E.R.



LOT 6 CONCESSION 4 N.E.R.

LOT 6 CONCESSION 3 N.E.R.

MUNICIPALITY OF ADELAIDE-METCALFE
< FORMERLY TOWNSHIP OF ADELAIDE >



LOT 7 CONCESSION 3 N.E.R.

