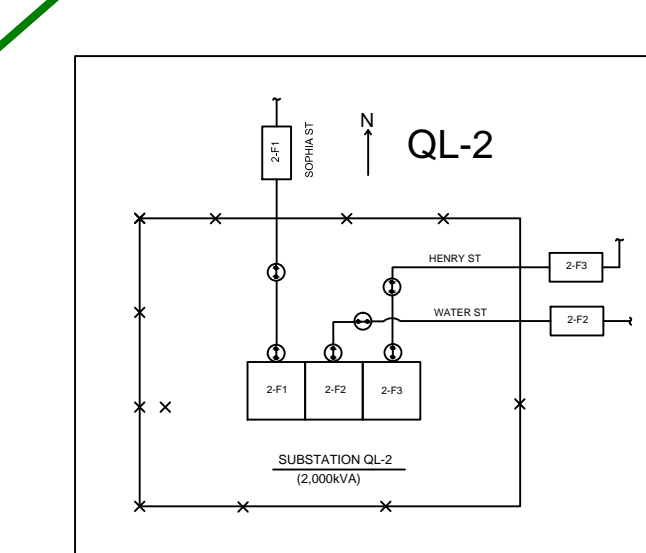
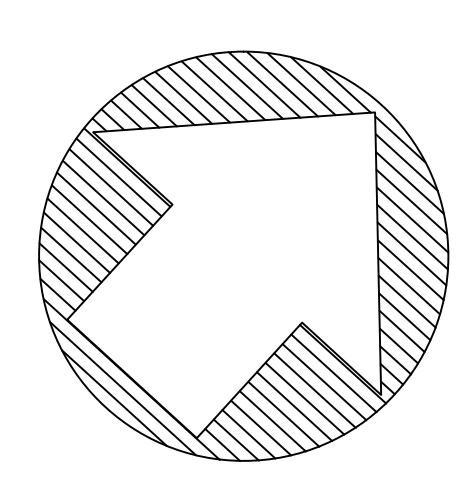




- ### Default
- ⊙ Breaker
 - ⊙ Recloser
 - Switch
 - Fuse
 - ◇ PME
 - Elbow
 - Junction
 - Riser
 - Service Point
 - Conductor
 - Transformer
 - Map Base
 - Pole
 - Junction Cabinet
 - Substations
 - Transformer Multiline Text
 - Transformer ID#
 - Switches_Text
 - Fuse_Text
 - Service Point_Text
 - Pole_Text
 - Substations_Text
 - Project ID Text
 - Service Areas
 - Streets
 - Major Roads
 - Field Verification
 - Service_Area
 - Projects
 - 2015
 - 2016
 - 2017
 - 2018
 - STREET_NAME
 - PARCEL
 - BUILDING
 - Roads
 - Lakes
 - PROJECTS



Plot Date: 4/21/2016

Prescott Operating Map

Prepared By:
Oakley Engineering