

1 **COST ALLOCATION AND CHARGE DETERMINANTS**

2
3 **1.0 PURPOSE**

4
5 The purpose of Exhibit G1 is to describe the process followed by Hydro One
6 Transmission to allocate the Transmission revenue requirement identified in Exhibit E1,
7 Tab 1, Schedule 1 into the four rate pools.

8
9 This Exhibit sets the context for the Transmission Cost Allocation and Charge
10 Determinants for this Application. This information will be Hydro One Transmission's
11 input towards determining the Uniform Transmission Rates [UTR] applicable to all
12 Ontario transmission customers.

13
14 **2.0 SUMMARY**

15
16 The rates revenue requirement outlined in Exhibit E1, Tab 1, Schedule 1, Table 4 is the
17 starting point for the revenues to be allocated into the Rate Pools using the process
18 described in this exhibit.

19
20 Table 1 summarizes the allocation of the 2013 and 2014 transmission rates revenue
21 requirement to the four rate pools. The details of the cost allocation methodology are
22 provided in Exhibit G1, Tab 2, Schedule 1. Also provided in Table 1 are the associated
23 charge determinants per Rate Pool which will be used as Hydro One Transmission's
24 inputs into the determination of the provincial UTRs. The Charge Determinants are
25 discussed in Exhibit H1, Tab 3, Schedule 1.

1
 2

Table 1
Summary of Rate Pool Revenue Requirement and Charge Determinants

	Network	Line Connection	Transformation Connection	Wholesale Meter	Total
2013 Revenue Requirement (\$ Millions)	859.6	172.3	365.7	0.9	1,398.5
2013 Charge Determinants: Ave Monthly MWs	20,023	19,406	16,759		
Meter Points				118	
2014 Revenue Requirement (\$ Millions)	913.9	184.8	392.9	0.7	1,492.3
2014 Charge Determinants: Ave Monthly MWs	19,553	18,990	16,400		
Meter Points				87	

3

4 **3.0 COST ALLOCATION METHODOLOGY**

5

6 The Cost Allocation and Charge Determinants methodologies remain unchanged from
 7 what was approved by the Board in the Decision and Rate Order in Proceeding EB-2010-
 8 0002.

9

10 The charges for transmission service are collected by the Independent Electricity System
 11 Operator (IESO) from Market Participants who are defined transmission customers, using
 12 Board-approved transmission rates. These rates are Uniform Transmission Rates that
 13 apply to the transmission customers of all transmitters in the Province of Ontario.

14

1 The remaining schedules of Exhibit G1 comprise the following:

2

- 3 • Exhibit G1, Tab 2, Schedule 1 details the cost allocation methodology used to
4 determine the revenue requirement for the rate pools;
- 5 • Exhibit G1, Tab 3, Schedule 1 describes the Network and Line Connection rate pools;
- 6 • Exhibit G1, Tab 4, Schedule 1 describes the Transformation Connection rate pool;
- 7 • Exhibit G1, Tab 5, Schedule 1 describes the Wholesale Meter rate pool;
- 8 • Exhibit G1, Tab 6, Schedule 1 describes the Low Voltage Switchgear Compensation.

1 **DESCRIPTION OF COST ALLOCATION METHODOLOGY**

2
3 **1.0 INTRODUCTION**

4
5 This schedule provides an overview of the cost allocation methodology used to allocate the
6 2013 and 2014 Transmission Revenue Requirement and Rate Base into the rate pools
7 defined for Hydro One Transmission.

8
9 The cost allocation methodology described below is the same methodology used for the
10 transmission rate applications approved under Proceeding EB-2010-0002.

11
12 The Transmission Revenue Requirement and Rate Base to be allocated to the rate pools are
13 described in Exhibits E1, Tab 1, Schedule 1 and D1, Tab 1, Schedule 1, respectively.

14
15 **2.0 KEY STEPS OF COST ALLOCATION METHODOLOGY**

16
17 The cost allocation methodology consists of the basic steps identified below:

- 18
19 (a) Review Board decisions from Proceeding EB-2010-0002 and any other Board decisions
20 impacting cost allocation and rate design.
- 21 (b) Functionalize assets into the transmission functional categories that can subsequently be
22 used to assign or allocate these assets to the rate pools. The term “transmission
23 functional categories” refers to the groupings to which all physical assets and their
24 associated costs are assigned on the basis of the criteria described in Section 3.0.
- 25 (c) Apportion costs to the functional categories or rate pools on the basis of direct
26 assignment, to the extent possible. Allocate other costs, which cannot be directly
27 assigned, among the functional categories and to rate pools using the previously
28 approved methodology. The allocation of costs is summarized in Section 4.0 below.

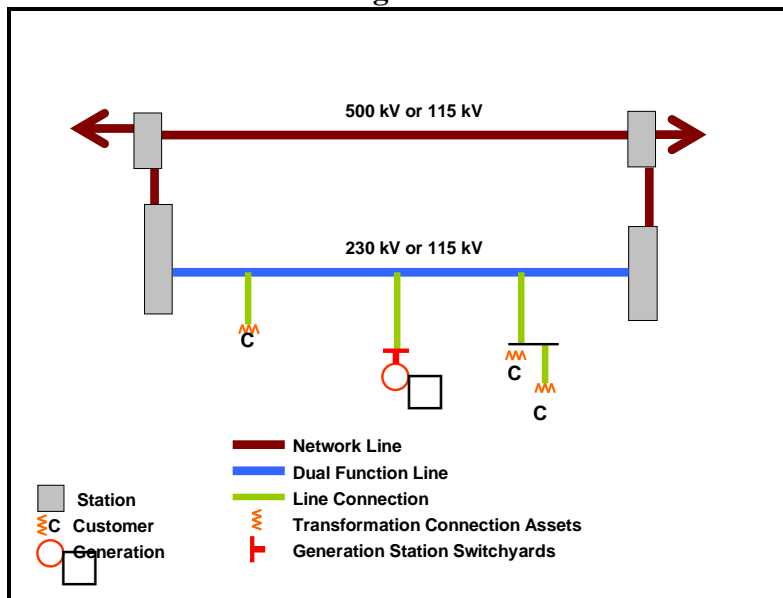
1 The cost allocation activities described by the above steps result in the split of the
2 transmission revenue requirement by rate pool, which is a necessary step to enable the
3 Board to determine the uniform provincial rates.

4
5 **3.0 FUNCTIONALIZATION OF ASSETS**

6
7 A key activity in determining the revenue requirement for each rate pool is the assignment
8 of the physical transmission assets owned by Hydro One Transmission to transmission
9 functional categories. The assignment of these assets to the functional categories is based
10 on load forecast data for each delivery point, the Fixed Asset financial database and the
11 electrical system connectivity database that identifies the connectivity between the
12 transmission assets (e.g. lines and stations) to which customers are connected.

13
14 A simplified diagram of the basic elements of the transmission system, useful in
15 understanding the assignment of assets to the functional categories, is provided in Figure 1.

16
17 **Figure 1**



1 The functional categories to which assets are assigned are Network, Dual Function Line,
2 Line Connection, Transformation Connection, Generation Station Switchyards, Wholesale
3 Meter, Common and Other. A description of the functional categories is provided below:
4

5 **Network Assets**

6

7 The transmission facilities that are used for the benefit of all customers, or have been
8 approved by the OEB as being for the benefit of all customers in the province, are
9 categorized as Network Assets. In general, these assets comprise the integrated
10 transmission facilities operating at 500 kV or 230 kV that link Network stations around
11 major sources of generation and major load centres. Network facilities are designed to
12 provide reliability of the integrated transmission system and enhance overall electricity
13 market efficiency. They include:
14

- 15 • All 500 kV circuits and 500/230 kV Auto-Transformer facilities.
- 16 • All capacitor bank facilities located at transformation or switching stations.
- 17 • All 230 kV circuits that are not tapped to supply load and that are normally operated in
18 parallel with 500 kV circuits; such parallel circuits may be circuit(s) that form a group of
19 transmission circuits that together normally operate in parallel with the 500 kV
20 circuit(s).
- 21 • All 115 kV circuits that are not tapped to supply load and that are normally operated in
22 parallel with network circuits noted above.
- 23 • All 230 kV and 345 kV “interconnections”, which are lines connecting Hydro One’s
24 transmission system to the transmitter systems owned by other transmitters in Ontario
25 and to the power system(s) in the neighboring jurisdictions.
- 26 • All 230 kV circuits that are not tapped to supply load and that are normally operated in
27 such a manner that they connect the “interconnection circuits”, directly or through a

1 group of transmission circuits, to any of the 500 kV and 230 kV network circuits noted
2 above.

- 3 • The 230/115 kV Auto-Transformer facilities normally connecting the 230 kV and 115
4 kV network circuits noted above and/or the Dual Function Lines described below.
- 5 • The specific sections of 115 kV circuits that interconnect with transmitter systems
6 owned by other transmitters in Ontario and the neighboring jurisdictions, beginning
7 from the junction or station from/at which Hydro One Transmission's customer load is
8 supplied up to the border.
- 9 • The transformation or switching stations, or portions thereof, including the circuit
10 breakers and associated assets that switch the network circuits and the Dual Function
11 Lines described below.

12

13 **Dual Function Line Assets**

14

15 The transmission circuits used for both the common benefit of all customers and for
16 providing a connection between a Network station and load supply point(s) for one or more
17 customers are categorized as Dual Function Line assets.

18

19 A transmission circuit that is classified a Dual Function Line is deemed to provide both
20 network and line connection functions. It is necessary to identify Dual Function Lines
21 separately since the costs for Dual Function Lines are split between the Network and Line
22 Connection Pools.

23

24 Specifically, the transmission circuits comprising the following types of electrical assets are
25 assigned to Dual Function Line functional category of assets:

26

- 27 • All 230 and 115 kV circuits that are tapped to supply load and that are normally
28 operated in parallel with 500 kV circuits; such parallel circuits may be circuit(s) that

1 form a group of transmission circuits that together normally operate in parallel with the
2 500 kV circuit(s).

- 3 • All 115 kV circuits that are tapped to supply load and that are normally operated in
4 parallel with network circuits or Dual Function Lines noted above.
- 5 • All 230 kV circuits that are tapped to supply load and that are normally operated in such
6 a manner that they connect the “interconnection circuits”, directly or through a group of
7 transmission circuits, to any of the 500 kV and 230 kV network circuits noted above.
- 8 • Local Loops:
 - 9 ○ An existing Line Connection that is reconfigured to create a local loop is considered
10 to provide a Network benefit only if that loop creates a new independent delivery
11 path emanating from one Network Station and ending uninterrupted at another
12 Network Station, and would normally increase the transfer capacity between these
13 two existing Network stations. Under this condition, the local loop would be
14 classified as a Dual Function Line, which provides both a Network function and a
15 Line Connection function for local customers.

16 17 **Line Connection Assets**

18
19 The transmission circuits and intermediate stations operating at 230 kV or 115 kV that are
20 used to provide a connection between a Network station and load supply point(s) for one or
21 more customers and one or more generating stations are categorized Line Connection assets.
22 Similarly, transmission circuits used to provide a connection between a Dual Function Line
23 and load supply point(s) for one or more customers and/or one or more generating stations
24 are also categorized Line Connection assets. The Line Connection circuits that tap Dual
25 Function Lines can also be referred to as “Tap of Dual Function Line”. The intermediate
26 230 kV or 115 kV radial station assets that serve one or more customers are also included as
27 Line Connection assets.

1 A more detailed explanation of Network, Dual Function and Line Connection assets is
2 provided in Exhibit G1, Tab 3, Schedule 1, which also includes a detailed diagram
3 illustrating these types of transmission assets.

4
5 Specifically, the transmission lines or stations comprising the following type of electrical
6 assets are assigned to Line Connection functional category of assets:

- 7
- 8 • Transmission circuits that are radial and connect (directly or indirectly via other
9 connection circuits) to one of the Network Stations or Dual Function Lines defined
10 above. Line Connection assets do not reinforce the integrated transmission system that
11 is commonly shared by a large portion of, or entire, Province.
 - 12 • Line Connection circuits that are used to provide connection to only one Transmission
13 Delivery Point, which is defined as the transformation station that steps down the
14 voltage from above 50 kV to below 50 kV, are identified as “Dedicated Line
15 Connection” assets. Line Connection circuits that tap to Dual Function Lines can also
16 be called “Tap on Dual Function Line”.
 - 17 • Local Loops:
 - 18 ○ If the local loop, as described above in section (ii), does not increase the transfer
19 capability along the full length of the transmission interface between two existing
20 Network stations, then such a local loop would be classified as Line Connection.

21
22 Intermediate radial stations, or portions thereof, dropping voltage from 230 kV to 115 kV
23 are also categorized as a Line Connection asset if they are not already categorized as a
24 Network asset as per the guidelines above. They cannot be assigned to the Transformation
25 Connection Pool, since they do not “drop the voltage from above 50 kV to below 50 kV”.

1 **Transformation Connection Assets**

2
3 The transformer stations owned by Hydro One Transmission or portions thereof that step
4 down the voltage from above 50 kV to below 50 kV are categorized as Transformation
5 Connection assets.

6
7 **Generating Station Switchyard Assets**

8
9 The switchyards owned by Hydro One Transmission or portions thereof that connect
10 generating stations to the transmission system are categorized as Generating Station
11 Switchyard assets.

12
13 **Wholesale Meter Assets**

14
15 Wholesale revenue metering assets are those metering-related facilities included in the
16 regulated transmission rate base of Hydro One Transmission and used for billing and
17 settlement in respect of transmission and/or wholesale energy charges. These facilities
18 include the recorders, physical meters and related instrument transformers, wiring, and
19 panels that can be separately identified as being used solely for revenue metering purposes.

20
21 Wholesale meter assets that are used for revenue metering of Local Distribution Companies
22 and large end-use customers previously supplied by the former Ontario Hydro are included
23 in this category if the corresponding distribution company or end-use customer has
24 registered to participate in the IESO-administered wholesale market, but have not yet made
25 arrangements for an alternate Meter Service Provider in accordance with Chapter 6 of the
26 Market Rules.

1 **Common Assets**

2

3 Commonly used facilities that serve the operation of the overall provincial transmission
4 system are categorized Common Assets. Common assets include rate base
5 telecommunication and control equipment, administration buildings and control rooms,
6 minor fixed assets (such as office computers and equipment) and electrical equipment held
7 in reserve.

8

9 **Other Assets**

10

11 Remaining Hydro One-owned transmission facilities that cannot be assigned to any of the
12 functional categories listed above are categorized as Other. These assets include facilities
13 such as disconnect switches in customer-owned stations and transmission facilities that
14 cannot be allocated to one of the other functional categories under normal operating
15 conditions.

16

17 A listing of all transmission lines, and the functional categories to which they are allocated,
18 is provided in Exhibit G2, Tab 1, Schedule 1. A listing of all transmission stations and the
19 functional categories to which they are allocated are provided in Exhibit G2, Tab 1,
20 Schedule 2.

21

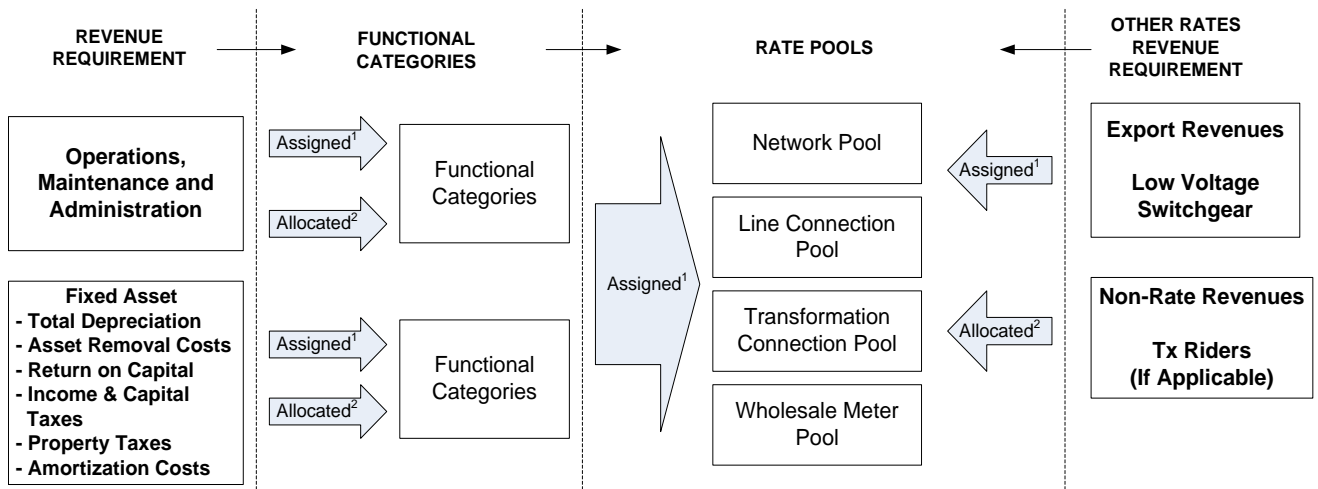
22 The assignment of assets to the functional categories noted above facilitates the assignment
23 and allocation of revenue requirement as described in Section 4.0.

4.0 ALLOCATION OF REVENUE REQUIREMENT TO RATE POOLS AND DERIVATION OF RATES REVENUE REQUIREMENT

The following sub-sections describe the activities to allocate the Transmission revenue requirement to the Network, Line Connection, Transformation Connection and Wholesale Meter pools - collectively referred to as the Rate Pools.

The allocation of the Transmission revenue requirement to the rate pools is summarized in Figure 2.

Figure 2



¹ The term "Assigned" refers to a value that is designated to a particular Functional Category or Rate Pool (e.g. Export Revenues are directly assigned to the Network Rate Pool)

² The term "Allocated" indicates that a parameter(s) is used to calculate the proportion of the values that are designated to more than one Functional Category or Rate Pool (e.g. load forecast data is applied to the value of Dual Function Line assets to determine the proportion of its value that is allocated to the Network Functional Category and to the Line Connection Functional Category)

As illustrated in Figure 2, there are three basic elements of the revenue requirement allocated or assigned using the process discussed in this schedule. They are:

- 1 1. Operations, Maintenance and Administration (“OM&A”) costs
- 2 2. Expenses associated with fixed assets such as depreciation, asset removal costs, return
3 on capital, income taxes, capital taxes, property taxes and amortization costs
- 4 3. Other Rates Revenue Requirement components such as non-rate revenues, export
5 revenue credit, Tx riders (if applicable) and the amount to recover the Low Voltage
6 Switchgear credit

7

8 It is necessary to allocate the Gross Book Value of transmission assets to functional
9 categories. The Gross Book Value by functional category is used to:

10

- 11 • Assign and allocate depreciation costs as described in Section 4.2.
- 12 • Assign and allocate the accumulated depreciation of assets in order to determine Net
13 Book Value by functional category, which is subsequently used to allocate elements of
14 the OM&A costs, as described in Section 4.3, and to allocate elements of the Other
15 Rates Revenue Requirement, as described in Section 4.4.2.
- 16 • Derive the Transmission Rate Base.

17

18 **4.1 Allocation of Asset Value**

19

20 The Gross Book Value of transmission assets are assigned to the functional categories as
21 described in Section 3.0. However, for the purpose of delineating costs to the rate pools, the
22 asset values for the Dual Function Line, Line Connection and Transformation Connection
23 functional categories must be further separated as per the methodology described below.

24

25 4.1.1 Allocation Factors for Dual Function Line Assets

26

27 The asset value of each Dual Function Line (“DFL”) is split between the Network and Line
28 Connection pools using the methodology approved by the Board in Proceeding EB-2010-

1 0002. The allocation factors used to split the DFL asset value between these pools are
2 derived using the average 2013 monthly coincident peak demand of customer load (“DFL
3 Customer Demand”) connected to the Dual Function Line and the minimum of the average
4 of summer and winter transmission capacity (“Minimum DFL Capacity”) of the Dual
5 Function Line as follows:

6
7 Proportion Allocated to the Line Connection Portion of DFL =
8 (Average Monthly DFL Customer Demand) divided by
9 (Minimum DFL Capacity)

10
11 Proportion Allocated to the Network Portion of DFL =
12 (1 minus Proportion allocated to the Line Connection Portion of DFL)

13
14 The use of average coincident peak demand of customers as a proxy for the extent to which
15 the minimum of the average DFL capacity is used for Line Connection purposes is
16 considered an appropriate allocator as it reflects the load diversity inherent in the use of a
17 DFL by connected customers.

18
19 Exhibit G2, Tab 2, Schedule 1 lists the Dual Function Lines and the corresponding
20 proportions of asset value that are allocated to the Network and Line Connection Pools.

21
22 4.1.2 Allocation Factors for Generation Connection Assets

23
24 Some of the existing Line Connection and Transformation Connection assets owned by
25 Hydro One Transmission are partially or fully used to connect generating stations to the
26 transmission system.

1 Based on the Board Decision under Proceeding RP-1999-0044, generators do not pay
2 Transmission Service charges with respect to transmission connection facilities used to
3 transfer electricity from the generating station to the network. As such, for rate making
4 purposes, the cost of such connection facilities are included in the Network Pool. This
5 approach is considered fair and equitable, since the revenue requirement for the Network
6 Pool is recovered through Network rates applicable to all load customers, while the revenue
7 requirement for Connection Pools are recovered only from load customers that utilize the
8 connections. Since generators connected to the transmission system enhance and contribute
9 to the electricity market for all load customers, it is appropriate that the portion of
10 connection costs associated with generating stations be allocated to the Network Pool.

11

12 The asset value for a connection facility used solely to connect a generating station(s) can be
13 fully allocated to the Network Pool. In cases where a connection facility is used to connect
14 one or more generating station(s) and one or more transmission load customer delivery
15 points, some of the costs associated with that facility are allocated to the Network Pool and
16 the remaining costs are included in the appropriate Connection pool. In these cases, the
17 allocation of the asset value is based on the sum of the maximum annual non-coincident
18 peak demand of all delivery points connected to the connection facility (Non-Coincident
19 Peak Demand) and the maximum installed capacity of generation (Generation Capacity)
20 connected to that facility as follows:

21

22 Proportion Allocated to the Generator Connections =

23 (Generation Capacity) divided by
24 (Generation Capacity + Non-Coincident Peak Demand)

25

26 Therefore, the Proportion allocated to the Load Connections =

27 (1 minus Proportion Allocated to the Generator Connections)

1 This use of a delivery point's maximum annual non-coincident peak demand and the
2 maximum generator installed capacity as the basis for allocating the costs of connection
3 assets specifically dedicated for their joint use is considered appropriate since these values
4 represent the maximum extent to which the assets could be used by either party, and it is the
5 methodology approved by the Board in Proceeding EB-2010-0002.

6
7 Exhibit G2, Tab 3, Schedule 1 and Exhibit G2, Tab 3, Schedule 2 provide a list of the
8 transmission lines and stations, respectively, which are used for connecting generation
9 stations to the transmission network. These exhibits show the corresponding proportion of
10 those assets that is allocated to the Generator Connection and to the Load Connection
11 functional categories in accordance with the methodology described above.

12
13 4.1.3 Summary of Asset Value by Functional Category

14
15 Assignment of the physical assets to the functional categories and the subsequent split of the
16 Dual Function Lines and generation connection assets, as described above, yields the
17 functionalization of the Gross Book Value of transmission assets into the functional
18 categories shown below:

- 19
20 • Network
21 • Network Portion of Dual Function Line
22 • Line Connection Portion of Dual Function Line
23 • Line Connection
24 • Generator Line Connection
25 • Transformation Connection
26 • Generator Station Connection (includes Generation Station Switchyards)
27 • Wholesale Meter
28 • Common

- 1 • Other

2
3 Once the Gross Book Value has been allocated to the Functional Categories, the Net Book
4 Value (“NBV”) of transmission assets is determined by assigning the accumulated
5 depreciation, discussed in Exhibit D1, Tab 1, Schedule 1, to the functional categories listed
6 above in proportion to the share of Gross Book Value of assets in each functional category
7 by Uniform System of Accounts.

8
9 A summary of the Gross Book Value and Net Book Value of assets by functional category
10 is provided in Exhibit G2, Tab 4, Schedule 1.

11
12 The breakdown of the asset values among the functional categories provides the data
13 required to:

- 14
15 • determine the fixed asset depreciation costs (as per Section 4.2);
16 • split the connection-related OM&A costs between the load supply and generation
17 functions (as per Section 4.3); and,
18 • allocate the Other Rates Revenue Requirement line items (as per Section 4.4).

19
20 **4.2 Assignment of Depreciation Costs, Return on Capital , Capital Taxes and**
21 **Income Taxes**

22
23 The treatment of Depreciation Costs, Return on Capital, Capital Taxes and Income Taxes is
24 in accordance with the methodology approved by the Board in Proceeding EB-2010-0002.

25
26 The Depreciation costs on transmission fixed assets are allocated to the functional categories
27 in proportion to the average Gross Book Value of the functional categories over two years.
28 The asset removal costs and capitalized depreciation determined per Exhibit C1, Tab 8,

1 Schedule 1 are assigned to the functional categories in proportion to the Gross Book Value.
2 A summary of the Depreciation costs by functional category is provided in Exhibit G2, Tab
3 4, Schedule 2.

4
5 Return on Capital, and Income Taxes are assigned on the basis of the Rate Base in each
6 functional category. The Rate Base is determined by adding the Working Capital, which
7 includes Materials and Supplies Inventory, identified in Exhibit D1, Tab 1, Schedule 1 to
8 the Net Book Value of the functional categories assigned to each rate pool. The share of
9 Working Capital added to each rate pool is based on the OM&A associated with the
10 functional categories assigned to each pool. These costs are summarized at Exhibit G2, Tab
11 4, Schedule 3.

12 13 **4.3 Allocation of Operations, Maintenance and Administration Costs**

14
15 The 2013 and 2014 OM&A costs allocated as per the methodology described in this
16 Section, and approved under Proceeding EB-2010-0002, are the totals shown in Exhibit E1,
17 Tab 1, Schedule 1, less the amount for “Taxes Other Than Income Taxes”. The “Taxes
18 Other Than Income Taxes” are largely grants-in-lieu of property taxes which are allocated
19 as described in Section 4.4.

20
21 The expenditures for the various OM&A projects and programs, which are described in
22 Exhibit C1, are allocated to the functional categories using the following approach:

23
24 Costs are directly assigned to specific functional categories where the work associated with
25 the functional category is readily identifiable.

26 (a) Where direct assignment is not possible, allocation to the functional categories is based
27 on parameters representative of the relative O&MA expenditure requirements, such as:

- 1 • the kilometers of line in each functional category as a percent of the total number of
2 kilometres installed.
- 3 • the Gross Book Value of stations within a particular functional category as a percent
4 of the total Gross Book Value of all stations.
- 5 • the length of underground circuit-km in a functional category as a percent of the total
6 length of underground lines within the system.

7

8 In order to allocate costs to the rate pools, the OM&A spending associated with the Network
9 and Line Connection portions of Dual Function Lines, as well as the OM&A spending
10 associated with the generator and load portions of Line Connection and Transformation
11 Connection assets must be determined. The methodology to determine these costs is
12 described below.

13

14 4.3.1 OM&A Costs for Generator Connections

15

16 The OM&A costs associated with Generator Line Connections and Generator Station
17 Connections used solely to connect a generating station(s) can be fully assigned to the
18 Network Pool. In cases where a connection facility is used to connect one or more
19 generating station(s) and one or more load customers, some of the costs associated with that
20 facility are allocated to the Network Pool and the remaining costs are included the
21 appropriate Connection (Line or Transformation) pool. Using the data from Section 4.1.3
22 and the OM&A costs determined as per Section 4.3, the following formula is used to
23 estimate Generator's share of OM&A costs for each of the line and station connection
24 functional categories:

1 Proportion allocated to Generator Line (or Transformation Connection) =
2 (Total Generation Line or Transformation OM&A Costs) multiplied by
3 [(Generation Line or Transformation Connection NBV) divided by
4 (Generation Line or Transformation Connection NBV +
5 Line or Transformation Connection NBV)]
6

7 Therefore, the Proportion allocated to the load customer's Line or Transformation
8 Connection =

9 (1 minus Proportion allocated to the Generator Line or Transformation Connection).
10

11 4.3.2 OM&A Costs for Dual Function Lines

12

13 The cost allocation proposed for the Network and Line Connection Pools, as detailed in
14 Exhibit G1, Tab 3, Schedule 1, requires the OM&A costs of each Dual Function Line to be
15 split between the Network and Line Connection Pools. As shown below, the OM&A costs
16 associated with the Network portion and the Line Connection portion of the Dual Function
17 Lines are derived using the Net Book Value of assets determined as per Section 4.1.3:
18

19 OM&A Costs for Network Portion of Dual Function Lines =
20 (OM&A Costs for Dual Function Lines) multiplied by
21 (NBV of Network Portion of Dual Function Lines) divided by
22 (sum of Total NBV of Dual Function Lines).
23

24 OM&A Costs for Line Connection Portion of Dual Function Lines =
25 (Total OM&A Costs for Dual Function Lines) minus
26 (OM&A Costs for Network Portion of Dual Function Lines).
27

1 4.3.3 Summary of OM&A Costs

2
3 Allocation of the OM&A costs described above results in the split of total OM&A costs
4 between the functional categories, a summary of which is provided in Exhibit G2, Tab 4,
5 Schedule 4.

6
7 **4.4 Allocation of Costs to Rate Pools**

8
9 4.4.1 Allocation of Asset Value, Depreciation and OM&A Costs to Rate Pools

10
11 The derivation of Net Book Value, Depreciation costs and OM&A costs for the functional
12 categories facilitates the allocation of these financial values to the four rate pools; Network,
13 Line Connection, Transformation Connection and Wholesale Meter.

14
15 The methodology approved by the Board in Proceeding EB-2010-0002 is used to allocate
16 the financial values in the functional categories to the four rate pools as shown in Table 1
17 and described below.

18
19 **Table 1:**
20 **Functional Category to Rate Pool Mapping**

Functional Category	Rate Pool
Network	Network
Line Connection	Line Connection
Transformation Connection	Transformation Connection
Generation Line Connection	Network
Generation Station Connection	Network
Wholesale Meter	Wholesale Meter
DFL – Network	Network
DFL – Line Connection	Line Connection
Common and Other	Prorate to Network, Line and Transformation excluding Wholesale Meters

- 1 • The financial values associated with the Network, Line Connection, and Transformation
2 Connection functional categories are directly assigned to the corresponding rate pools
3 (i.e. Network Pool, Line Connection Pool, and Transformation Connection Pool,
4 respectively).
- 5 • The financial values associated with the Generator Line Connection and Generator
6 Station Connection functional categories are assigned to the Network Pool.
- 7 • The financial values associated with the Wholesale Meter functional category are
8 assigned to the Wholesale Meter Pool.
- 9 • The financial values associated with the Network portion of Dual Function Lines are
10 assigned to the Network Pool and the values associated with the Line Connection
11 portion of Dual Function Lines are assigned to the Line Connection Pool.
- 12 • The financial values associated with the functional categories “Common” and “Other”
13 are allocated to the Network, Line Connection and Transformation Connection rate
14 pools in proportion to the corresponding amounts of financial values that are already
15 assigned to those rate pools based on the process described in the four bullets above (e.g.
16 “Common” and “Other” OM&A costs are allocated to the rate pools based on the
17 relative share of OM&A costs already assigned to the rate pools). “Common” and
18 “Other” financial values are not allocated to the Wholesale Meter Pool as the assets and
19 costs for these functional categories are more appropriately associated with line and
20 transformer station assets. This treatment is consistent with the methodology established
21 in Proceeding RP-2003-0188 and most recently approved in Proceeding EB-2010-0002.

22 23 4.4.2 Allocation of Other Line Items of Transmission Rate Revenue Requirement

24
25 Hydro One Transmission’s rate revenue requirement includes amounts in addition to the
26 fixed asset Depreciation costs, Return on Capital, Capital and Income Taxes, and OM&A
27 costs, allocated above. These costs are discussed in Exhibit E1, Tab 1, Schedule 1 and are
28 generically defined for the purpose of this exhibit as “Other Rates Revenue Requirement”.

1 Table 2 below identifies the Other Rates Revenue Requirement items, the total revenues to
 2 be collected and the allocators used to divide these costs among the four rate pools.
 3 Allocation of the items in Table 2 is done on the same basis as under Proceeding EB-2010-
 4 0002.

5
 6
 7

**Table 2
 Other Rates Revenue Requirement**

Other Rates Revenue Requirement Items	2013 (\$ Million)	2014 (\$Million)	Allocator
Amortization	6.1	6.9	Allocated NBV of Functional Categories
Taxes other than Income Taxes	71.5	72.3	Allocated NBV of Functional Categories
Non Rate Revenues			
• Regulatory Assets	-15.0	-15.0	Prorated based on the amounts of financial values that are already assigned to those rate pools
• Export Service	-31.0	-30.1	Direct Assignment to Networks
• External Revenues	<u>-31.6</u>	<u>-31.8</u>	Prorated based on the amounts of financial values that are already assigned to those rate pools
Total Non Rate Revenues	-77.6	-76.9	

8

9 **5.0 SUMMARY OF REVENUE REQUIREMENT FOR RATE POOLS**

10

11 The process described in this exhibit is applied to determine the revenue requirement for the
 12 Network and Line Connection Pools (discussed in Exhibit G1, Tab 3, Schedule 1), the
 13 Transformation Connection Pool (discussed in Exhibit G1, Tab 4, Schedule 1), and the
 14 Wholesale Meter Pool (discussed in Exhibit G1, Tab 5, Schedule 1).

1 **NETWORK AND LINE CONNECTION POOLS**

2
3 **1.0 INTRODUCTION**

4
5 The functions performed by the regulated transmission assets owned by Hydro One
6 Transmission remain unchanged from when the Board reviewed the transmission cost
7 allocation methodology as part of Proceeding EB-2010-0002.

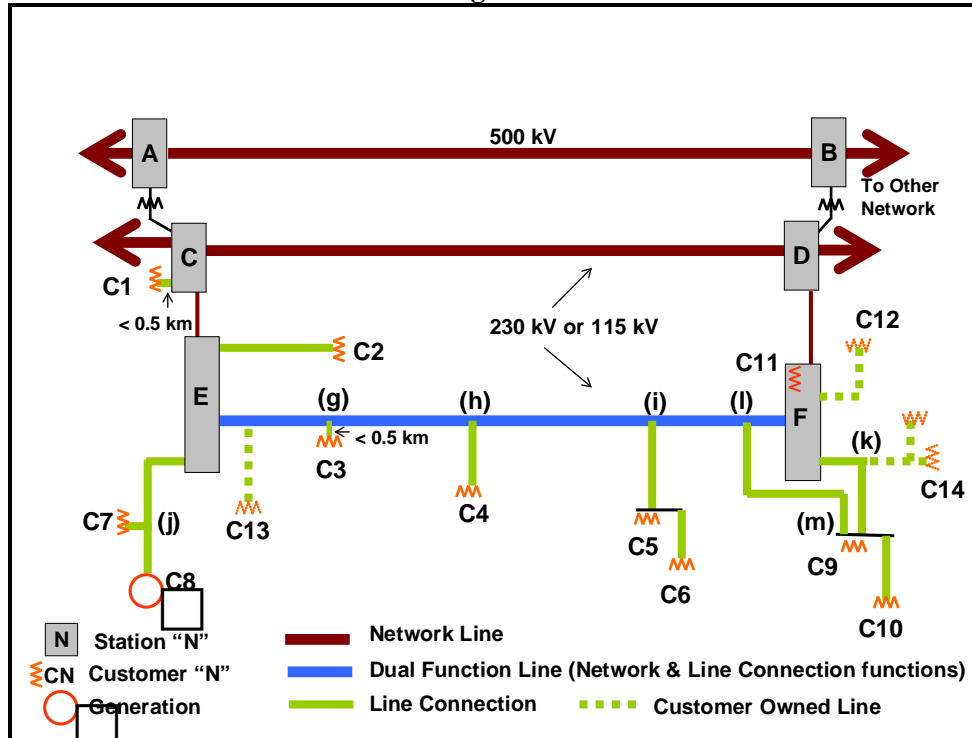
8
9 This Schedule describes the cost allocation matters related to the Network and Line
10 Connections pools.

11
12 **2.0 BACKGROUND**

13
14 An explanation of the role of transmission lines in serving and connecting transmission
15 customers, and providing overall reliability via the bulk transfer of power between areas
16 of the Province, is essential to the understanding of the issues surrounding Network and
17 Line Connection pools. A simplified illustrative diagram of transmission lines in a power
18 system is provided in Figure 1.

1

Figure 1



2

3

4 In reference to Figure 1:

5

- 6 • The 500 kV transmission line between stations “A” and “B” is classified as a
- 7 Network asset in that it serves all customers connected to the power system. Such an
- 8 inter-area transmission line is part of the Network that provides overall system
- 9 reliability and enhances energy market efficiency by allowing electricity customers to
- 10 purchase energy from anywhere in Ontario and neighbouring jurisdictions.
- 11 • The high voltage (230 kV or a 115 kV) line between stations “C” and “D” is operated
- 12 in parallel with the 500 kV Network. As such, its full capacity is used to enhance the
- 13 reliability of the overall system (for example to continue to supply electricity even
- 14 when the 500 kV line is out of service). It is also classified as a Network asset.
- 15 • Each transmission delivery point (C1 to C14) is treated as a distinct (separate) entity
- 16 for the purpose of calculating transmission charges. This applies even if the same

1 customer is taking power from the transmission system at two or more transmission
2 delivery points (as per Board Decision in Proceeding RP-1999-0044).

- 3 • The radial lines from stations “C”, “E”, and “F” connect one or more transmission
4 customers. These lines can vary in length from a few hundred meters to a hundred
5 kilometers or more. Since these lines serve only one or a few customers, they are
6 classified as Line Connection.
- 7 • Customer C11 is directly connected at station “F” and is not using any transmission
8 line dedicated solely to that customer.
- 9 • The radial lines connecting customer C12 to station “F”, connecting customer C13 to
10 the Dual Function Line between stations “E” and “F”, and connecting Customer C14
11 to a connection line at point (k) are owned by those customers and are not Hydro One
12 Transmission assets.
- 13 • The line between stations “E” and “F” is operated in parallel with the Network lines
14 described above, and it is also used to supply electricity to customers C3 to C6 and to
15 customer C13, who are connected to this line through line taps. This line, which is
16 classified “Dual Function Line”, has two properties:
 - 17 ○ The line is operated in parallel with the Network lines between “A” and “B” and
18 between “C” and “D”. Thus, in this context, some of the capacity of the line
19 between “E” and “F” contributes to enhance the reliability and energy market for
20 all customers in Ontario.
 - 21 ○ Some of the capacity of this line is used to connect customers C3 to C6 and C13
22 to Stations “E” and “F”. The customers connected to this line may be tapped to it
23 by very short connections (e.g. customer C3), or they may be utilizing relatively
24 longer taps many kilometers in length, or they may be connected via a customer-
25 owned line (e.g. customer C13).
- 26 • The addition of a line between points (l) and (m) is an example of a situation that
27 creates a local loop that provides a Line Connection function to customers C9 and
28 C10, but also provides some limited Network benefits by operating in parallel with

1 the Dual Function Line between Stations “E” and “F”. As approved by the Board in
2 the Settlement Agreement for issue 1.2 in Proceeding EB-2006-0501, Local Loops
3 are considered to provide a Network benefit only if the loop creates a new
4 independent path between two Network Stations that increases the transfer capacity
5 between the two stations. In this example, the local loop alone does not increase the
6 transfer capacity between stations “E” and “F” and therefore it is treated as a line
7 connection for the purpose of cost allocation.

- 8 • The line taps from the Dual Function Line between stations “E” and “F” and
9 customers C3, C4, and C5/C6 respectively connect one or a few specific customers
10 and are classified as Line Connection.

11

12 The determination of the functional category to which a transmission asset belongs is
13 based on the normal system operating condition of assets in-service as of the end of 2011,
14 and with due consideration of any Board decisions regarding the treatment of specific
15 assets.

16

17 **3.0 SUMMARY OF ASSET VALUE AND REVENUE REQUIREMENT**

18

19 The revenue requirement for the Network pool includes an offset of \$31.0 million and
20 \$30.1 million in Export Transmission Service revenue forecast to be collected in 2013
21 and 2014, respectively, as discussed in Exhibit H1, Tab 5, Schedule 1.

22

23 The Net Book Value (at mid-year) and revenue requirement for the Network Pool,
24 derived using the cost allocation methodology described in Exhibit G1, Tab 2, Schedule 1
25 are provided in Table 1.

26

1

Table 1

Year	Net Book Value (\$ Million)	Revenue Requirement (\$ Million)
2013	6,002.6	859.6
2014	6,350.6	913.9

2

3 The Net Book Value (at mid-year) and revenue requirement for the Line Connection Pool
4 are provided in Table 2.

5

6

Table 2

Year	Net Book Value (\$ Million)	Revenue Requirement (\$ Million)
2013	1,260.3	172.3
2014	1,339.8	184.8

7

8 A summary of the revenue requirement for all of the Network, Line Connection,
9 Transformation, and Wholesale Meter rate pools is provided in Exhibit G2, Tab 5,
10 Schedule 1.

TRANSFORMATION CONNECTION POOL

1.0 INTRODUCTION

This exhibit summarizes the revenue requirement allocated to the Transformation Connection pool.

2.0 COST ALLOCATION FOR TRANSFORMATION CONNECTION POOL

The revenue requirement for the Transformation Connection Pool includes Hydro One Transmission's costs associated with transformer station assets used to step-down voltage from the transmission level to the distribution level (i.e. from above 50 kV to 50 kV and below), in accordance with the cost allocation methodology summarized in Exhibit G1, Tab 2, Schedule 1.

The revenue requirement for the Transformation Connection pool also includes an amount that is payable by Hydro One Transmission to Toronto Hydro-Electric System Inc. and Hydro Ottawa Inc. as compensation for Low Voltage Switchgear ("LVSG") equipment that those utilities own, operate and maintain within the transformation stations owned by Hydro One Transmission. The compensation amount is based on the LVSG costs for stations owned by Hydro One Transmission as a proportion of the total transformation station costs, including OM&A and capital-related charges, incurred by Hydro One Transmission. Details of how the LVSG proportion of costs has been determined are provided in Exhibit G1, Tab 6, Schedule 1. The 19% LVSG proportion of Hydro One station costs approved by the Board in EB-2010-0002 was reviewed and remains valid for this application.

1 The annual LVSG compensation payable to each utility is calculated using the same
2 methodology approved by the Board in Proceeding EB-2010-0002. That is, the
3 compensation is based on the forecast of each utility's total monthly non-coincident peak
4 demand ("LVSG Demand") supplied from all Hydro One Transmission transformer
5 stations in which the utilities own the LVSG facilities, multiplied by the LVSG
6 proportion of Hydro One Transmission's Transformation Connection rate.

7
8 The annual LVSG compensation amount will be \$11.8 million in 2013 and \$12.5 million
9 in 2014 as shown in Table 1. These amounts are added to the revenue to be collected by
10 the Transformation Connection Service charges.

11
12 **Table 1**

	LVSG Component of Transformation Connection Rate (\$/kW/Month)	Average Monthly NCP Demand for Toronto Hydro and Hydro Ottawa (MW)	Total Credit (\$ Million)
2013	0.33	2,933	11.8
2014	0.37	2,843	12.5

13
14 **3.0 SUMMARY OF ASSET VALUE AND REVENUE REQUIREMENT**

15
16 The 2013 and 2014 Net Book Value (at mid-year) and revenue requirement for the
17 Transformation Connection pool, derived using the cost allocation methodology
18 described in Exhibit G1, Tab 2, Schedule 1, and including the LVSG compensation
19 amount discussed in Section 2 is summarized in Table 2.

20
21 **Table 2**

Year	Net Book Value (\$ Million)	Revenue Requirement (\$ Million)
2013	2,177.8	365.7
2014	2,365.3	392.9

- 1 A summary of the annual revenue requirement for all of the Network, Line Connection,
- 2 Transformation, and Wholesale Meter rate pools is provided in Exhibit G2, Tab 5,
- 3 Schedule 1.

1
2
3
4
5
6
7
8
9
10
11
12
13
14
15
16
17
18
19
20
21
22
23
24
25
26

WHOLESALE METER POOL

1.0 INTRODUCTION

This Exhibit discusses the assets and customers included in the Wholesale Meter Pool and the revenue requirement allocated to the Wholesale Meter Pool.

2.0 BACKGROUND

The wholesale revenue metering assets inherited by Hydro One from the former Ontario Hydro are included in Hydro One’s Transmission business. Hydro One Transmission acts as the default Meter Service Provider (MSP) for these meters associated with Metered Market Participants (MMPs) who have not yet made alternate arrangements for obtaining competitive MSP services as per the Market Rules for the Ontario Electricity Market. The meters and associated equipment are used to measure the electricity supplied to the following entities:

- (a) Local Distribution Companies and the End Use Customers that are connected to the transmission facilities owned by Hydro One Transmission;
- (b) Local Distribution Companies that are embedded in the distribution systems owned by other distributors, if these embedded LDCs were former customers of Ontario Hydro and if they have registered to be market participants with the IESO; and
- (c) A few large, non-LDC, customers that are embedded in the distribution systems owned by LDCs, if these embedded customers were wholesale customers of Ontario Hydro, classified by Ontario Hydro as Direct Customers, and if these customers have registered as market participants with the IESO.

1 At the start of 2012, Hydro One Transmission owned metering installations¹ comprising
2 140 meter points² for which it provides wholesale revenue meter services to Metered
3 Market Participants (MMPs). The forecasted number of meter points falls to 118 and 87
4 at mid-year in the 2013 and 2014 test years, respectively.

5

6 A metering installation can vary in size and complexity depending on the number of
7 meter points in the installation. The instrument transformers that provide a meter related
8 function at each meter point are the current transformers and potential transformers that
9 “step down” the current and voltage to a level that is consistent with the requirements of
10 the meter and control equipment. The instrument transformers owned by Hydro One
11 Transmission and used for revenue metering fall into one of four categories:

12

13 (d) Dedicated instrument transformers for metering purposes that are within the Hydro
14 One Transmission-owned Pole-mounted Metering Equipment (“PME”) that, together
15 with the corresponding meter located at the foot of the pole, form a stand-alone
16 metering installation.

17 (e) Instrument transformers that are integrated into the bulk power equipment such as
18 high voltage transformers, circuit breakers or switchgear used for high voltage
19 transmission purposes (that is, the instrument transformers are a relatively small
20 component built into, and inseparable from, the power equipment).

21 (f) In a few cases, the current and/or voltage transformers are installed on a stand-alone
22 basis, as part of a high voltage station owned by Hydro One Transmission, and are

¹ As defined in Chapter 11 of the Market Rules, “Metering Installation” means any apparatus, including but not limited to an RWM [Registered Wholesale Meter], used to measure electrical quantities and includes the communication system by which metering data is transferred to the relevant telecommunications network through which metering data is transferred to the communication of the metering database.

² As defined in Chapter 11 of the Market Rules, “Meter Point” means, in respect of a load facility and of a generation facility with respect to which the current transformers are located on the output side of the generation facility, the physical location of the current transformers used to measure power flow and, in respect of a generation facility with respect to which the current transformers are located on the grounded side of the generation facility, the physical location of the voltage transformers.

1 used for revenue metering purposes as well as for power system protection and
2 system control and supervisory functions.

3 (g) In a few exceptional installations, the current and/or voltage transformers installed on
4 a stand-alone basis as part of a high voltage station owned by Hydro One
5 Transmission may be dedicated to revenue metering function.

6

7 In accordance with the requirements in Chapter 6 of the Market Rules for the Ontario
8 Electricity Market, Hydro One Transmission is a Meter Service Provider (“MSP”) under
9 a transitional arrangement with respect to the wholesale revenue metering facilities that it
10 inherited from the former Ontario Hydro. The transitional MSP arrangement is
11 envisaged to exist for each metering installation of the type described above from the
12 open market commencement date (May 1, 2002) until the earliest expiry date of any seal
13 period³ of any equipment forming part of such metering installation. Once the seal
14 period expires, the MMP is required to make alternative arrangements for obtaining
15 competitive MSP services as necessary to comply with the provisions of Chapter 6 of the
16 Market Rules. In situations where an MMP fails to take action to upgrade or otherwise
17 bring their metering installation into compliance with the Market Rules, Hydro One
18 Transmission will re-seal the meter and continue to service these meters as in pre-market
19 commencement conditions, to fulfill its obligations with Measurement Canada.

20

21 As a result, it is considered necessary to address the following scenarios in this
22 Application:

23

24 (h) Some MMPs will exit the Wholesale Meter Service pool administered by Hydro One
25 Transmission, as envisaged by the Market Rules (Chapter 6). As MMPs exit the

³ Under Federal guidelines administered by Measurement Canada, each meter used for wholesale revenue transactions has a seal period, normally about 6 years for the wholesale electricity meters, after which it has to be recertified with respect to its accuracy of measurement.

1 Wholesale Meter Service pool to obtain the services of an MSP they would not have
2 to pay costs associated with the regulated meter assets and services thereof; and

3
4 (i) Those MMPs who have not made arrangements to obtain the services of an MSP will
5 continue to receive regulated meter service administered by Hydro One Transmission
6 until they exit, and will pay the costs associated with regulated meter assets and
7 related services on the basis of cost causality, to the extent possible.

8

9 **3.0 COST ALLOCATION FOR WHOLESALE METER POOL**

10

11 The Wholesale Meter pool revenue requirement includes operations and maintenance
12 expenses related to wholesale meter assets, including costs associated with activities to
13 comply with the Market Rules administered by the IESO. The Wholesale Meter pool
14 revenue requirement also includes asset related charges such as depreciation and a share
15 of the Other Revenue Requirement costs (e.g. return on Capital, taxes, etc.).

16

17 Regulated Wholesale Meter Service charges shall not apply to MMPs that exit a meter
18 installation from the Wholesale Meter pool, in accordance with Hydro One
19 Transmission's wholesale meter exit policy.

20 For every metering installation with respect to which a MMP arranges to exit the
21 Wholesale Meter pool, Hydro One Transmission shall cease to be responsible for any
22 direct or indirect costs that may be incurred to maintain, repair, or replace any equipment
23 required for wholesale revenue metering or any other purpose related to the metering
24 installation. The 2013 and 2014 Net Book Value (at mid-year) and Revenue
25 Requirement for the Wholesale Meter pool, derived using the cost allocation
26 methodology described in Exhibit G1, Tab 2, Schedule 1, is provided in Table 1.

1

Table 1

Year	Net Book Value (\$ Million)	Revenue Requirement (\$ Million)
2013	3.3	0.94
2014	2.5	0.69

2

3 A summary of the annual revenue requirement for all of the Network, Line Connection,
4 Transformation Connection, and Wholesale Meter rate pools is provided in Exhibit G2,
5 Tab 5, Schedule 1.

1 **LOW VOLTAGE SWITCHGEAR COMPENSATION**

2
3 **1.0 INTRODUCTION**

4
5 Under the Settlement Agreement for the EB-2006-0501 Proceeding, the Ontario Energy
6 Board approved that two distribution companies (Toronto Hydro Electric System Ltd.
7 and Hydro Ottawa Ltd.) should continue to receive compensation for the low voltage
8 switchgear equipment they own, operate and maintain in Hydro One's transformation
9 stations.

10
11 **2.0 BACKGROUND**

12
13 In the 1960s, Toronto Hydro and Ottawa Hydro decided to install and pay for their own
14 low voltage switchgear at some of the Ontario Hydro owned transformation stations
15 supplying their loads.

16
17 There was no credit paid to these utilities at the time. In 1966 the utilities involved
18 negotiated with Ontario Hydro for a credit in recognition of their ownership of these
19 assets. This credit has been paid by Ontario Hydro since that time, and the value of the
20 credit was escalated from time to time in the same proportion as the transformer station
21 asset base (115 kV) has escalated. Upon open access, the credit mechanism ceased.
22 Hydro One Transmission, Toronto Hydro Electric System Ltd. and Hydro Ottawa Ltd.
23 submitted a joint low voltage switchgear compensation proposal to Ontario Energy Board
24 for resolution as part of the RP-1999-0044 on October 30, 2000.

25
26 The Board approved the proposal which specifies that Toronto Hydro Electric System
27 Ltd. and Hydro Ottawa Ltd. should continue to receive compensation for the low voltage

1 switchgear equipment they own, operate, and maintain in Hydro One Transmission's
2 transformation stations after Open Access.

3

4 **3.0 CONCLUSION**

5

6 The estimate of the cost of providing low voltage switchgear service which was updated
7 and approved in the EB-2006-0501, EB-2008-0272 and EB-2010-0002 Proceedings, was
8 reviewed and remains valid for use in calculating the 2013 and 2014 Transformation
9 Connection Service revenue requirement and rates.

10

11 The average low voltage switchgear service costs comprise 19.0% of Hydro One
12 Transmission's total station costs.

1 **LIST OF TRANSMISSION LINES BY FUNCTIONAL CATEGORY**

2 *N= Network*

LC= Line Connection

3 *DFL=Dual Function Line*

TDF=Tap of Dual Function Line

Operation Designation	Section	From	To	Functional Category
15M1	10	Rabbit Lake SS	Kenora MTS JCT	LC
15M1	13	Kenora MTS JCT	Kenora MTS JCT	LC
15M1	14	Kenora MTS JCT	Kenora MTS	LC
15M1	15	Kenora MTS JCT	Kenora MTS	LC
15M1	16	Kenora MTS JCT	Kenora MTS	LC
2301F1	1	Tilbury West JCT	Haycroft DS	OTHER
29M1	1	Ignace JCT	Ignace DS JCT	TDF
29M1	2	Ignace DS JCT	Camp Lake JCT	LC
29M1	3	Camp Lake JCT	Valora JCT	LC
29M1	4	Valora JCT	Mattabi JCT	LC
29M1	7	Valora JCT	Valora DS	LC
29M1	8	Camp Lake JCT	Agimak DS JCT	LC
29M1	12	Agimak DS JCT	Agimak DS	LC
29M1	13	Agimak DS JCT	Agimak DS	LC
3024F2	1	Tisdale JCT	Pamour JCT	OTHER
56M1	1	Nipigon JCT	Red Rock JCT	LC
56M1	2	Red Rock JCT	Red Rock DS	LC
56M1	3	Red Rock JCT	Red Rock Mill CTS	LC
57M1	1	Reserve JCT	Nipigon JCT	LC
57M1	2	Nipigon JCT	Nipigon DS	LC
61M18	1	Seaforth 61M18 JCT	Constance DS	LC
61M18	2	Constance DS	Goderich TS	LC
61M18	3	Seaforth TS	Seaforth 61M18 JCT	LC
61M18	4	Seaforth 61M18 JCT	Seaforth LSO JCT	OTHER
61M18	5	Constance DS	Constance DS	LC
79M1	1	Gamble H9A JCT	Rockland JCT	LC
79M1	2	Rockland JCT	Rockland East DS JCT	LC
79M1	3	Rockland East DS JCT	Clarence DS	LC
79M1	4	Clarence DS	Wendover JCT	LC
79M1	5	Wendover JCT	Hawkesbury MTS #1	LC
79M1	10	Rockland JCT	Rockland DS	LC
79M1	11	Wendover JCT	Wendover DS	LC
79M1	13	Rockland East DS JCT	Rockland East DS JCT	LC
79M1	14	Rockland East DS JCT	Rockland East DS	LC
79M1	15	Rockland East DS JCT	Rockland East DS	LC
79M1	16	Clarence DS	Clarence DS	LC

Filed: May 28, 2012

EB-2012-0031

Exhibit G2

Tab 1

Schedule 1

Page 2 of 58

Operation Designation	Section	From	To	Functional Category
A1B	1	Aguasabon SS	Terrace Bay Pulp JCT	DFL
A1B	2	Terrace Bay Pulp JCT	Terrace Bay SS	DFL
A1B	3	Terrace Bay Pulp JCT	Terrace Bay Pulp CTS	TDF
A1T	4	Toronto Power TS	Niagara JCT	OTHER
A1T	5	Montrose JCT	Toronto Power TS	OTHER
A1T	6	Michigan JCT	Montrose JCT	OTHER
A1T	7	Michigan JCT	Crowland STR 46 JCT	OTHER
A1T	11	Toronto Power TS	Niagara TS	OTHER
A1T	12	Allanburg TS	Michigan JCT	OTHER
A1T	13	Michigan JCT	Crowland JCT	OTHER
A1T	15	Crowland STR 46 JCT	ASW Steel CTS	OTHER
A1T	16	Crowland STR 46 JCT	Crowland JCT	OTHER
A1T	17	Crowland JCT	Crowland JCT	OTHER
A2	1	Hawthorne TS	Blackburn JCT	LC
A2	2	Blackburn JCT	Cyrville Rd JCT	LC
A2	3	Cyrville JCT	Bilberry Creek JCT	LC
A2	4	Bilberry Creek JCT	Bilberry Creek TS	LC
A2	5	Cyrville JCT	Nationl Research JCT	LC
A2	6	Nationl Research JCT	N.R.C. TS	LC
A2	7	Nationl Research JCT	Nationl Research JCT	OTHER
A2	8	Cyrville Rd JCT	Cyrville JCT	LC
A2	9	Cyrville Rd JCT	Cyrville MTS	LC
A21L	1	Mackenzie TS	Lakehead TS	N
A22L	1	Mackenzie TS	Lakehead TS	N
A23P	1	Algoma TS	Mississagi TS	N
A24P	1	Algoma TS	Mississagi TS	N
A36N	1	Allanburg TS	Kalar JCT	LC
A36N	3	Kalar JCT	Murray TS	LC
A36N	4	Kalar JCT	Kalar MTS	LC
A37N	1	Allanburg TS	Kalar JCT	LC
A37N	3	Kalar JCT	Murray TS	LC
A37N	4	Kalar JCT	Kalar MTS	LC
A3M	1	Mackenzie TS	Moose Lake TS	N
A3RM	1	Billings JCT	Merivale MTS	DFL
A3RM	2	Ellwood JCT	Billings JCT	DFL
A3RM	4	Ellwood JCT	Riverdale JCT	TDF
A3RM	6	Riverdale JCT	Riverdale TS	LC
A3RM	7	Riverdale TS	Slater TS	LC
A3RM	10	Hawthorne TS	Ellwood JCT	DFL
A3RM	14	Billings JCT	Billings JCT	OTHER
A3RM	15	Billings JCT	Billings JCT	OTHER

Operation Designation	Section	From	To	Functional Category
A3RM	16	Merivale MTS	Merivale TS	DFL
A41T	1	Hawthorne TS	IPB Masson JCT	N
A42T	1	Hawthorne TS	IPB Masson JCT	N
A4H	2	Ansonville TS	Fournier JCT	DFL
A4H	3	Fournier JCT	Fournier JCT	TDF
A4H	4	Hunta SS	LSR MSO JCT	LC
A4H	5	Fournier JCT	Hunta SS	DFL
A4H	6	Fournier JCT	Power JCT	LC
A4H	7	Power JCT	Cochrane West JCT	LC
A4H	8	Cochrane West JCT	Cochrane MTS	LC
A4H	10	Cochrane West JCT	Cochrane West DS	LC
A4K	1	Hawthorne TS	Blackburn JCT	LC
A4K	2	Blackburn JCT	Cyrville Rd JCT	LC
A4K	3	Cyrville JCT	Moulton JCT	LC
A4K	4	Overbrook TS	King Edward TS	LC
A4K	9	Moulton JCT	Overbrook TS	LC
A4K	10	Moulton JCT	Moulton MTS	LC
A4K	11	Cyrville Rd JCT	Cyrville JCT	LC
A4K	12	Cyrville Rd JCT	Cyrville MTS	LC
A4L	1	Alexander SS	C.P. Nipigon JCT	LC
A4L	2	Beardmore JCT	Jellicoe DS #3 JCT	LC
A4L	4	Roxmark JCT	Longlac TS	LC
A4L	5	Roxmark JCT	Roxmark Mine CTS	OTHER
A4L	6	Jellicoe DS #3 JCT	Roxmark JCT	LC
A4L	7	Beardmore JCT	Beardmore DS #2	LC
A4L	10	C.P. Nipigon JCT	Beardmore JCT	LC
A4L	11	C.P. Nipigon JCT	C.P. Nipigon CGS	LC
A4L	12	Jellicoe DS #3 JCT	Jellicoe DS #3	LC
A4M	1	Mackenzie TS	Moose Lake TS	OTHER
A5A	1	Alexander SS	Minnova JCT	DFL
A5A	2	Minnova JCT	Schreiber JCT	DFL
A5A	3	Schreiber JCT	Aguasabon SS	DFL
A5A	4	Schreiber JCT	Schreiber Winnipg DS	TDF
A5A	6	Minnova JCT	Minnova JCT	TDF
A5H	1	Fournier JCT	Hunta SS	DFL
A5H	2	C.P. Tunis JCT	Fournier JCT	DFL
A5H	3	Iroquois Fls DS JCT	Iroq Falls 115 JCT	DFL
A5H	4	Ansonville TS	Iroquois Fls DS JCT	DFL
A5H	10	Iroq Falls 115 JCT	C.P. Tunis JCT	DFL
A5H	15	Fournier JCT	Fournier JCT	TDF
A5H	17	Iroquois Fls DS JCT	Iroquois Falls DS	TDF

Operation Designation	Section	From	To	Functional Category
A5H	18	C.P. Tunis JCT	C.P. Tunis JCT	TDF
A5RK	1	Hawthorne TS	Blackburn JCT	LC
A5RK	2	Blackburn JCT	Russell TS	LC
A5RK	3	Russell TS	Riverdale JCT	LC
A5RK	4	Riverdale JCT	Riverdale TS	LC
A5RK	5	Riverdale TS	Slater TS	LC
A5RK	6	Riverdale JCT	Overbrook TS	LC
A5RK	7	Overbrook TS	King Edward TS	LC
A6C	1	Allanburg TS	Allanburg TS	LC
A6C	2	Hurricane JCT	Michigan JCT	LC
A6C	3	Hurricane JCT	BF Goodrich JCT	LC
A6C	4	Allanburg TS	Allanburg TS	LC
A6C	6	BF Goodrich JCT	Cytec Welland CTS	LC
A6C	7	BF Goodrich JCT	Oxy Vinyls CTS	OTHER
A6C	8	Michigan JCT	Crowland TS	LC
A6C	9	Allanburg TS	Hurricane JCT	LC
A6P	1	Alexander SS	Reserve JCT	DFL
A6P	2	Reserve JCT	Port Arthur TS #1	DFL
A6P	3	Reserve JCT	Reserve JCT	TDF
A6R	1	Hawthorne TS	Blackburn JCT	LC
A6R	2	Blackburn JCT	Russell TS	LC
A6R	3	Russell TS	Riverdale JCT	LC
A6R	4	Riverdale JCT	OHSC JCT	LC
A6R	5	OHSC JCT	Riverdale TS	LC
A6R	6	OHSC JCT	OHSC JCT	LC
A7C	1	Allanburg TS	Allanburg TS	LC
A7C	2	Hurricane JCT	Michigan JCT	LC
A7C	3	Hurricane JCT	BF Goodrich JCT	LC
A7C	4	Allanburg TS	Allanburg TS	LC
A7C	6	BF Goodrich JCT	Cytec Welland CTS	LC
A7C	7	BF Goodrich JCT	Oxy Vinyls CTS	LC
A7C	8	Michigan JCT	Crowland TS	LC
A7C	9	Allanburg TS	Hurricane JCT	LC
A7L	1	Alexander SS	Reserve JCT	N
A7L	2	Reserve JCT	Lakehead TS	N
A8G	1	Allanburg TS	Rosedene JCT	OTHER
A8G	2	Rosedene JCT	Railway JCT	OTHER
A8G	3	Railway JCT	Beach JCT	OTHER
A8G	4	Beach JCT	Gage TS	OTHER
A8G	5	Railway JCT	Glanford JCT	OTHER
A8K	1	Ansonville TS	A8K-19EO JCT	N

Operation Designation	Section	From	To	Functional Category
A8K	2	A8K-19EO JCT	Monteith SS JCT	N
A8K	3	Monteith SS JCT	Monteith SS	OTHER
A8K	4	Monteith SS JCT	A8K-47EO JCT	N
A8K	5	A8K-47EO JCT	Kirkland Lake TS	N
A8L	1	Alexander SS	Lakehead TS	N
A8M	1	Billings JCT	Merivale TS	DFL
A8M	2	Hawthorne TS	Billings JCT	DFL
A8M	9	Billings JCT	Billings JCT	TDF
A8M	10	Billings JCT	Billings JCT	LC
A8M	11	Billings JCT	Uplands JCT	LC
A8M	12	Uplands JCT	Uplands MTS #2	LC
A9K	1	Ansonville TS	Monteith DS JCT	DFL
A9K	2	Monteith DS JCT	Ramore TS	DFL
A9K	3	Ramore TS	Kirkland Lake TS	DFL
A9K	4	Monteith DS JCT	Monteith DS	TDF
B1	1	Beach Road JCT	Beach TS	LC
B10	1	Burlington TS	Gage JCT	LC
B10	2	Gage JCT	Gage TS	LC
B10	3	Gage JCT	Birmingham TS	OTHER
B11	1	Burlington TS	Gage JCT	LC
B11	2	Gage JCT	Gage TS	LC
B11	3	Gage JCT	Birmingham TS	OTHER
B12	1	Burlington TS	Dundas #2 JCT	LC
B12	2	Dundas #2 JCT	Horning Mountain JCT	LC
B12	3	Horning Mountain JCT	Alford JCT	LC
B12	4	Alford JCT	Powerline JCT	LC
B12	5	Alford JCT	Mohawk Str 31 EP JCT	OTHER
B12	6	Horning Mountain JCT	Newton TS	LC
B12	7	Dundas #2 JCT	Dundas TS #2	LC
B12	8	Powerline JCT	Brant TS	LC
B12	9	Powerline JCT	Powerline MTS	LC
B13	1	Burlington TS	Dundas #2 JCT	LC
B13	2	Dundas #2 JCT	Horning Mountain JCT	LC
B13	3	Horning Mountain JCT	Alford JCT	LC
B13	4	Alford JCT	Powerline JCT	LC
B13	6	Horning Mountain JCT	Newton TS	LC
B13	7	Dundas #2 JCT	Dundas TS #2	LC
B13	8	Powerline JCT	Brant TS	LC
B13	9	Powerline JCT	Powerline MTS	LC
B15C	1	Cooksville TS	Lorne Park TS	LC
B15C	2	Lorne Park TS	Ford JCT	LC

Filed: May 28, 2012

EB-2012-0031

Exhibit G2

Tab 1

Schedule 1

Page 6 of 58

Operation Designation	Section	From	To	Functional Category
B15C	3	Ford JCT	Oakville TS #2	LC
B15C	4	Ford JCT	Ford Oakville CTS	LC
B16C	1	Cooksville TS	Lorne Park TS	LC
B16C	2	Lorne Park TS	Ford JCT	LC
B16C	3	Ford JCT	Oakville TS #2	LC
B16C	4	Ford JCT	Ford Oakville CTS	LC
B16C	5	Cooksville TS	Cooksville TS	LC
B18H	1	Burlington TS	Beach Road JCT	DFL
B18H	2	Beach Road JCT	Beach TS	DFL
B18H	3	Beach Road JCT	Lake TS	TDF
B1S	1	Barrett Chute SS	Ardoch JCT	DFL
B1S	2	Ardoch JCT	Northbrook DS	DFL
B1S	3	Northbrook DS	Lodgeroom DS	DFL
B1S	4	Lodgeroom DS	Sidney TS	DFL
B1S	5	Ardoch JCT	Ardoch DS	TDF
B1S	6	Northbrook DS	Northbrook DS	TDF
B1S	7	Ardoch JCT	Ardoch JCT	DFL
B1S	8	Ardoch JCT	Ardoch DS	OTHER
B20H	1	Burlington TS	Beach Road JCT	DFL
B20H	2	Beach Road JCT	Beach TS	DFL
B20H	3	Beach Road JCT	Lake TS	TDF
B20P	1	Bruce A TS	Bruce HW Plant D JCT	LC
B20P	2	Bruce HW Plant D JCT	Douglas Point TS	LC
B20P	4	Bruce HW Plant D JCT	Bruce HW Plant D TS	OTHER
B22D	1	Bruce A TS	Majestic JCT	DFL
B22D	2	Wingham JCT	Seaforth TS	DFL
B22D	3	Seaforth TS	Stratford JCT	DFL
B22D	4	Stratford JCT	Detweiler TS	DFL
B22D	5	Stratford JCT	Stratford TS	TDF
B22D	6	Wingham JCT	Wingham TS	TDF
B22D	7	Majestic JCT	Wingham JCT	DFL
B22D	8	Majestic JCT	Majestic CTS	TDF
B23C	1	Belleville TS	Pancake JCT	DFL
B23C	2	Pancake JCT	Wilson JCT	DFL
B23C	3	Wilson JCT	Whitby JCT	DFL
B23C	4	Wilson JCT	Wilson TS	TDF
B23C	5	Whitby JCT	B23C H26C Tie JCT	DFL
B23C	6	Whitby JCT	Whitby TS	TDF
B23C	7	B23C H26C Tie JCT	Cherrywood TS	DFL
B23C	8	B23C H26C Tie JCT	B23C H26C Tie JCT	OTHER
B23D	1	Bruce A TS	Majestic JCT	DFL

Operation Designation	Section	From	To	Functional Category
B23D	2	Wingham JCT	Seaforth TS	DFL
B23D	3	Seaforth TS	Stratford JCT	DFL
B23D	4	Stratford JCT	Detweiler TS	DFL
B23D	5	Stratford JCT	Stratford TS	TDF
B23D	6	Wingham JCT	Wingham TS	TDF
B23D	7	Majestic JCT	Wingham JCT	DFL
B23D	8	Majestic JCT	Majestic CTS	TDF
B24P	1	Bruce A TS	Bruce HW Plant D JCT	LC
B24P	2	Bruce HW Plant D JCT	Douglas Point TS	LC
B24P	4	Bruce HW Plant D JCT	Bruce HW D EP JCT	OTHER
B27S	1	Bruce A TS	Owen Sound JCT	DFL
B27S	2	Owen Sound JCT	Owen Sound TS	TDF
B27S	3	Owen Sound JCT	Owen Sound TS	DFL
B28S	1	Bruce A TS	Owen Sound TS	LC
B3	1	Burlington TS	Dundas JCT	LC
B3	2	Dundas JCT	McMaster JCT	LC
B3	3	McMaster JCT	Horning Mountain JCT	LC
B3	4	Horning Mountain JCT	Glanford JCT	LC
B3	5	Glanford JCT	Mohawk TS	LC
B3	6	McMaster JCT	McMaster CTS	LC
B3	7	Horning Mountain JCT	Newton TS	LC
B3	8	Dundas JCT	Dundas TS	LC
B31L	2	IPB Baudet JCT	B5D-B31L SS JCT	N
B31L	3	B5D-B31L SS JCT	Raisin River JCT	N
B31L	4	Raisin River JCT	St.Lawrence TS	N
B31L	5	B5D-B31L SS JCT	B5D-B31L SS JCT	N
B31L	6	St.Lawrence TS	St.Lawrence TS	N
B31L	7	St.Lawrence TS	St.Lawrence TS	N
B3E	1	Blind River TS	Elliot Lake JCT	LC
B3E	2	Elliot Lake JCT	Elliot Lake TS	LC
B3N	2	Mid R. JCT Bunce Crk	Sun Oil Co JCT	N
B3N	3	Sun Oil Co JCT	Vidal JCT	N
B3N	4	Vidal JCT	Sarnia Scott JCT	N
B3N	5	Sarnia Scott JCT	Sarnia Scott TS	N
B4	1	Burlington TS	Dundas JCT	LC
B4	2	Dundas JCT	McMaster JCT	LC
B4	3	McMaster JCT	Horning Mountain JCT	LC
B4	4	Horning Mountain JCT	Glanford JCT	LC
B4	5	Glanford JCT	Mohawk TS	LC
B4	6	McMaster JCT	McMaster CTS	LC
B4	7	Horning Mountain JCT	Newton TS	LC

Operation Designation	Section	From	To	Functional Category
B4	8	Dundas JCT	Dundas TS	LC
B40C	1	Burlington TS	Cumberland TS	LC
B41C	1	Burlington TS	Cumberland TS	LC
B4B	1	Blind River TS	Algoma TS	LC
B4E	1	Blind River TS	Elliot Lake TS	LC
B4V	1	Bruce A TS	Underwood JCT	DFL
B4V	2	Hanover TS	Amaranth JCT	DFL
B4V	3	Amaranth JCT	Orangeville TS	DFL
B4V	4	Amaranth JCT	Amaranth CTS	TDF
B4V	5	Underwood JCT	Hanover TS	DFL
B4V	6	Underwood JCT	Underwood CGS	TDF
B540C	1	Bowmanville SS	Cherrywood TS	N
B541C	1	Bowmanville SS	Cherrywood TS	N
B542C	1	Bowmanville SS	Cherrywood TS	N
B543C	1	Bowmanville SS	Cherrywood TS	N
B560V	1	Bruce A TS	Bruce JCT	N
B560V	2	Bruce JCT	Willow Creek JCT	N
B560V	3	Willow Creek JCT	Milton SS	N
B560V	4	Milton SS	Claireville TS	N
B560V	5	Milton SS	Milton SS	N
B561M	1	Bruce B SS	Bruce JCT	N
B561M	2	Bruce JCT	Willow Creek JCT	N
B561M	3	Willow Creek JCT	Milton SS	N
B561M	4	Bruce JCT	Bruce JCT	N
B562L	1	Bruce A TS	Bruce JCT	N
B562L	2	Bruce JCT	Willow Creek JCT	N
B562L	3	Willow Creek JCT	Longwood TS	N
B563L	1	Bruce B SS	Bruce JCT	N
B563L	2	Bruce JCT	Willow Creek JCT	N
B563L	3	Willow Creek JCT	Longwood TS	N
B563L	4	Bruce JCT	Bruce JCT	N
B569B	1	Bruce A TS	Bruce JCT	N
B569B	2	Bruce JCT	Bruce B SS	N
B569B	3	Bruce JCT	Bruce JCT	N
B5D	2	IPB Baudet JCT	B5D-B31L SS JCT	OTHER
B5D	3	B5D-B31L SS JCT	St.Isidore TS	N
B5D	4	B5D-B31L SS JCT	B5D-B31L SS JCT	N
B5D	5	St.Isidore TS	Longueuil JCT	LC
B5D	6	Longueuil JCT	Longueuil TS	LC
B5D	7	Longueuil JCT	Ivaco CTS	OTHER
B5G	1	Burlington TS	Harper's JCT	LC

Operation Designation	Section	From	To	Functional Category
B5G	2	Harper's JCT	Puslinch JCT	LC
B5G	3	Cedar TS	C.G.E. JCT	LC
B5G	4	C.G.E. JCT	ASEA Brown Bovri JCT	LC
B5G	6	ASEA Brown Bovri JCT	ASEA Brown Bovri CTS	LC
B5G	7	Harper's JCT	Westover JCT	LC
B5G	8	Westover JCT	Westover A JCT	LC
B5G	9	Westover A JCT	Enbrg Westover S CTS	LC
B5G	10	Westover A JCT	Enbrg Westover N CTS	LC
B5G	12	ASEA Brown Bovri JCT	Campbell TS	OTHER
B5G	16	Puslinch JCT	Arlen MTS JCT	LC
B5G	17	Hanlon JCT	Cedar TS	LC
B5G	18	Hanlon JCT	Hanlon TS	LC
B5G	19	Puslinch JCT	Puslinch DS	LC
B5G	20	Arlen MTS JCT	Hanlon JCT	LC
B5G	21	Arlen MTS JCT	Arlen MTS	LC
B5QK	1	Barrett Chute SS	Sharbot JCT	DFL
B5QK	2	Sharbot JCT	Hinchinbrooke DS	DFL
B5QK	3	Hinchinbrooke DS	Harrowsmith JCT	DFL
B5QK	4	Harrowsmith JCT	Railton JCT	DFL
B5QK	5	Railton JCT	Frontenac TS	TDF
B5QK	6	Railton JCT	Cataraqui TS	DFL
B5QK	7	Harrowsmith JCT	Harrowsmith DS	TDF
B5QK	8	Sharbot JCT	Sharbot DS	TDF
B5V	1	Bruce A TS	Underwood JCT	DFL
B5V	2	Hanover TS	Amaranth JCT	DFL
B5V	3	Underwood JCT	Hanover TS	DFL
B5V	4	Underwood JCT	Underwood CGS	TDF
B5V	5	Amaranth JCT	Orangeville TS	DFL
B5V	6	Amaranth JCT	Amaranth CTS	TDF
B6G	1	Burlington TS	Harper's JCT	LC
B6G	2	Harper's JCT	Puslinch JCT	LC
B6G	3	Cedar TS	C.G.E. JCT	LC
B6G	4	C.G.E. JCT	ASEA Brown Bovri JCT	LC
B6G	6	ASEA Brown Bovri JCT	ASEA Brown Bovri CTS	LC
B6G	8	ASEA Brown Bovri JCT	Campbell TS	OTHER
B6G	9	Hanlon JCT	Cedar TS	LC
B6G	10	Hanlon JCT	Hanlon TS	LC
B6G	11	Puslinch JCT	Arlen MTS JCT	LC
B6G	12	Puslinch JCT	Puslinch DS	LC
B6G	13	Arlen MTS JCT	Hanlon JCT	LC
B6G	14	Arlen MTS JCT	Arlen MTS	LC

Operation Designation	Section	From	To	Functional Category
B6M	1	Birch TS	Murillo JCT	DFL
B6M	2	Stanley JCT	Shabaqua JCT	DFL
B6M	3	Shabaqua JCT	Shebandowan JCT	DFL
B6M	4	Shebandowan JCT	Kashabowie JCT	DFL
B6M	5	Kashabowie JCT	Sapawe JCT	DFL
B6M	6	Caland Ore JCT	Moose Lake TS	DFL
B6M	7	Shabaqua JCT	Shabaqua DS	TDF
B6M	11	Stanley JCT	GL Nickles Ltd TS	OTHER
B6M	12	Murillo JCT	Stanley JCT	DFL
B6M	15	Sapawe JCT	Caland Ore JCT	DFL
B6M	16	Sapawe JCT	Sapawe DS	TDF
B6M	17	Murillo JCT	Murillo DS	TDF
B7	1	Burlington TS	Palermo JCT	LC
B7	2	Palermo JCT	Bronte TS	LC
B8	1	Burlington TS	Palermo JCT	LC
B8	2	Palermo JCT	Bronte TS	LC
B81HW	1	Bruce A TS	Bruce HW Plant B TS	LC
B82HW	1	Bruce A TS	Bruce HW Plant B TS	LC
B82V	1	Brown Hill TS	York EnergyCentr JCT	DFL
B82V	2	Holland Marsh JCT	Holland JCT	DFL
B82V	3	Woodbridge JCT	Claireville TS	DFL
B82V	5	Holland Marsh JCT	Armitage TS	TDF
B82V	6	Holland JCT	Woodbridge JCT	DFL
B82V	7	Holland JCT	Holland TS	TDF
B82V	8	York EnergyCentr JCT	Holland Marsh JCT	DFL
B82V	9	York EnergyCentr JCT	York EnergyCentr CGS	DFL
B83V	1	Brown Hill TS	York EnergyCentr JCT	DFL
B83V	2	Holland Marsh JCT	Holland JCT	DFL
B83V	3	Woodbridge JCT	Claireville TS	DFL
B83V	5	Holland Marsh JCT	Armitage TS	TDF
B83V	6	Holland JCT	Woodbridge JCT	DFL
B83V	7	Holland JCT	Holland TS	TDF
B83V	8	York EnergyCentr JCT	Holland Marsh JCT	DFL
B83V	9	York EnergyCentr JCT	York EnergyCentr CGS	DFL
B8W	1	Brant TS	Brant JCT	OTHER
B8W	2	Brant TS	Brant JCT	OTHER
B8W	3	Brant JCT	Toyota Woodstock JCT	OTHER
B8W	4	Woodstock JCT	Woodstock TS	LC
B8W	5	Woodstock JCT	Woodstock TS	LC
B8W	6	Toyota Woodstock JCT	Woodstock JCT	LC
B8W	7	Toyota Woodstock JCT	Toyota Woodstock TS	LC

Operation Designation	Section	From	To	Functional Category
BL104	1	Beck #1 SS	Mid R. JCT Niagara	OTHER
BP76	1	Beck #2 TS	Mid R. JCT Niagara	N
BSC105	1	Beck #1 SS	Parks TS	OTHER
BSC105	2	Parks TS	Mid R. JCT Niagara	OTHER
BSH106	1	Beck #1 SS	Mid R. JCT Niagara	OTHER
C10A	1	Cherrywood TS	Duffin JCT	LC
C10A	2	Duffin JCT	Agincourt JCT	LC
C10A	3	Agincourt JCT	Agincourt TS	LC
C10A	5	Agincourt JCT	Cavanagh MTS	LC
C10A	6	Agincourt JCT	Leaside JCT	OTHER
C11R	1	Cherrywood TS	Leaside JCT	OTHER
C12	1	Caledonia TS	Hartford JCT	LC
C12	3	Hartford JCT	Vanessa JCT	LC
C12	4	Vanessa JCT	Bloomsburg JCT	LC
C12	5	Bloomsburg JCT	Norfolk TS	LC
C12	6	Bloomsburg JCT	Bloomsburg MTS	LC
C14L	1	Cherrywood TS	Scarboro JCT	LC
C14L	2	Scarboro JCT	Bermondsey TS	LC
C14L	3	Bermondsey TS	Leaside TS	LC
C14L	4	Scarboro JCT	Scarboro TS	LC
C14L	5	Scarboro JCT	Warden TS	LC
C14L	6	Scarboro JCT	Scarboro JCT	LC
C14L	7	Leaside Str 4-5 JCT	Leaside Idle JCT	OTHER
C15L	1	Cherrywood TS	Sheppard TS	LC
C15L	2	Sheppard TS	Scarboro JCT	LC
C15L	3	Scarboro JCT	Leaside TS	LC
C15L	4	Scarboro JCT	Scarboro TS	LC
C16L	1	Cherrywood TS	Sheppard TS	LC
C16L	2	Sheppard TS	Leaside TS	LC
C17L	1	Cherrywood TS	Scarboro JCT	LC
C17L	2	Bermondsey TS	Leaside TS	LC
C17L	3	Scarboro JCT	Bermondsey TS	LC
C17L	4	Scarboro JCT	Warden TS	LC
C18R	1	Cherrywood TS	Fairchild TS	DFL
C18R	3	Fairchild TS	Bathurst JCT	DFL
C18R	4	Bathurst JCT	Richview TS	DFL
C18R	8	Bathurst JCT	Bathurst TS	TDF
C1A	1	Cameron Falls GS	Alexander SS	LC
C1A	2	Alexander SS	Alexander GS	LC
C1A	3	Alexander SS	Alexander SS	LC
C1P	1	Crowland TS	Tunnel JCT	OTHER

Operation Designation	Section	From	To	Functional Category
C1P	2	Tunnel JCT	Vale Inco JCT	OTHER
C1P	3	Vale Inco JCT	Port Colborne TS	OTHER
C20R	1	Cherrywood TS	Agincourt JCT	DFL
C20R	2	Fairchild TS	Bathurst JCT	DFL
C20R	3	Bathurst JCT	Finch JCT	DFL
C20R	4	Finch JCT	Richview TS	DFL
C20R	6	Finch JCT	Finch TS	TDF
C20R	7	Leslie JCT	Fairchild TS	DFL
C20R	10	Agincourt JCT	Leslie JCT	DFL
C20R	11	Agincourt JCT	Cavanagh MTS	TDF
C21J	1	Chatham SS	Sandwich JCT	DFL
C21J	2	Sandwich JCT	Malden JCT	DFL
C21J	3	Malden JCT	Keith TS	DFL
C21J	4	Malden JCT	Malden TS	TDF
C22J	1	Chatham SS	Sandwich JCT	DFL
C22J	2	Sandwich JCT	Malden JCT	DFL
C22J	3	Malden JCT	Keith TS	DFL
C22J	4	Malden JCT	Malden TS	TDF
C23Z	1	Chatham SS	Dillon RWECCGS JCT	DFL
C23Z	2	Sandwich JCT	Lauzon TS	DFL
C23Z	3	KEPA Wind Farm JCT	Comber WF JCT	DFL
C23Z	4	KEPA Wind Farm JCT	Port Alma WF CSS	OTHER
C23Z	5	Dillon RWECCGS JCT	KEPA Wind Farm JCT	DFL
C23Z	6	Dillon RWECCGS JCT	Dillon RWECCGS	TDF
C23Z	7	Comber WF JCT	Comber WF CTS	TDF
C23Z	8	Comber WF JCT	Sandwich JCT	DFL
C24Z	1	Chatham SS	KEPA Wind Farm JCT	DFL
C24Z	2	Sandwich JCT	Lauzon TS	DFL
C24Z	3	KEPA Wind Farm JCT	Comber WF JCT	DFL
C24Z	4	KEPA Wind Farm JCT	Port Alma WF CSS	TDF
C24Z	5	Comber WF JCT	Sandwich JCT	DFL
C24Z	6	Comber WF JCT	Comber WF CTS	TDF
C25H	1	Chats Falls SS	Havelock TS	N
C27P	1	Bannockburn JCT	Dobbin TS	DFL
C27P	2	Galetta JCT	Bannockburn JCT	DFL
C27P	3	Chats Falls SS	Galetta JCT	DFL
C27P	5	Galetta JCT	Arnprior GS	TDF
C28C	1	Chats Falls SS	Marine JCT	DFL
C28C	2	Duffin JCT	Cherrywood TS	DFL
C28C	3	Marine JCT	Duffin JCT	DFL
C28C	4	Marine JCT	Otonabee TS	TDF

Operation Designation	Section	From	To	Functional Category
C2A	1	Cameron Falls GS	Alexander SS	LC
C2A	2	Alexander SS	Alexander GS	LC
C2A	3	Alexander SS	Alexander SS	LC
C2H	1	Abitibi Canyon SS	C2H C3H JCT	LC
C2H	2	Island Falls JCT	Greenwater Pr Pk JCT	LC
C2H	4	Abitibi Canyon SS	C2H C3H JCT	LC
C2H	5	Island Falls JCT	Greenwater Pr Pk JCT	LC
C2H	6	Hunta C2H C3H JCT	Hunta SS	LC
C2H	8	C2H C3H JCT	Island Falls JCT	LC
C2H	9	C2H C3H JCT	Island Falls JCT	LC
C2H	10	Greenwater Pr Pk JCT	Hunta C2H C3H JCT	LC
C2H	11	Greenwater Pr Pk JCT	Hunta C2H C3H JCT	LC
C2H	12	C2H C3H JCT	C2H C3H JCT	LC
C2H	13	Island Falls JCT	Island Falls JCT	LC
C2H	14	Greenwater Pr Pk JCT	Greenwater Pr Pk JCT	LC
C2H	15	Hunta C2H C3H JCT	Hunta C2H C3H JCT	LC
C2L	1	C2L C3L STR 85 JCT	Ellesmere TS	OTHER
C2L	2	Ellesmere TS	C2L C3L STR 34 JCT	OTHER
C2L	5	Cherrywood TS	Ellesmere JCT	LC
C2L	6	Ellesmere JCT	Scarboro JCT	LC
C2L	7	Scarboro JCT	Leaside TS	LC
C2L	8	Scarboro JCT	Scarboro TS	LC
C2L	9	Ellesmere JCT	Ellesmere TS	LC
C2P	1	Crowland TS	Tunnel JCT	LC
C2P	2	Tunnel JCT	Vale Inco JCT	LC
C2P	3	Vale Inco JCT	Port Colborne TS	LC
C2P	4	Tunnel JCT	Panabrasives CTS	LC
C2P	5	Vale Inco JCT	Vale Inco 60 hz CTS	LC
C35P	1	Cherrywood TS	Markham #2 JCT	DFL
C35P	2	Markham #2 JCT	Markham #3 JCT	DFL
C35P	3	Markham #3 JCT	Parkway TS	DFL
C35P	4	Markham #2 JCT	Markham #2 PH JCT	TDF
C35P	5	Markham #2 PH JCT	Markham MTS #2	LC
C35P	6	Markham #3 JCT	Markham #3 PH JCT	TDF
C35P	7	Markham #3 PH JCT	Markham MTS #3	LC
C36P	1	Cherrywood TS	Markham #2 JCT	DFL
C36P	2	Markham #2 JCT	Markham #3 JCT	DFL
C36P	3	Markham #3 JCT	Parkway TS	DFL
C36P	4	Markham #2 JCT	Markham #2 PH JCT	TDF
C36P	5	Markham #2 PH JCT	Markham MTS #2	LC
C36P	6	Markham #3 JCT	Markham #3 PH JCT	TDF

Operation Designation	Section	From	To	Functional Category
C36P	7	Markham #3 PH JCT	Markham MTS #3	LC
C3A	1	Cameron Falls GS	Alexander SS	LC
C3A	2	Alexander SS	Alexander GS	LC
C3A	3	Alexander SS	Alexander SS	LC
C3H	1	Abitibi Canyon SS	C2H C3H JCT	LC
C3H	2	Island Falls JCT	Greenwater Pr Pk JCT	LC
C3H	3	Abitibi Canyon SS	C2H C3H JCT	LC
C3H	4	Island Falls JCT	Greenwater Pr Pk JCT	LC
C3H	5	Hunta C2H C3H JCT	Hunta SS	LC
C3H	7	C2H C3H JCT	Island Falls JCT	LC
C3H	8	C2H C3H JCT	Island Falls JCT	LC
C3H	9	Greenwater Pr Pk JCT	Hunta C2H C3H JCT	LC
C3H	10	Greenwater Pr Pk JCT	Hunta C2H C3H JCT	LC
C3H	11	C2H C3H JCT	C2H C3H JCT	LC
C3H	12	Island Falls JCT	Island Falls JCT	LC
C3H	13	Greenwater Pr Pk JCT	Greenwater Pr Pk JCT	LC
C3H	14	Hunta C2H C3H JCT	Hunta C2H C3H JCT	LC
C3H	15	Island Falls JCT	Island Falls CSS	LC
C3L	1	C2L C3L STR 85 JCT	Ellesmere TS	OTHER
C3L	2	Ellesmere TS	C2L C3L STR 34 JCT	OTHER
C3L	4	Leaside Str 4-5 JCT	Leaside TS	LC
C3L	5	Cherrywood TS	Ellesmere JCT	LC
C3L	6	Ellesmere JCT	Scarboro JCT	LC
C3L	7	Scarboro JCT	Leaside Str 4-5 JCT	LC
C3L	8	Scarboro JCT	Scarboro TS	LC
C3L	9	Ellesmere JCT	Ellesmere TS	LC
C3L	10	Leaside Str 4-5 JCT	Leaside TS	LC
C3S	1	Chats Falls SS	South March TS	N
C3S	3	South March TS	Kanata MTS #1	LC
C4R	1	Cherrywood TS	Malvern TS	DFL
C4R	2	Malvern TS	Agincourt JCT	DFL
C4R	3	Agincourt JCT	Leslie TS	DFL
C4R	4	Finch JCT	Richview TS	DFL
C4R	5	Agincourt JCT	Agincourt TS	TDF
C4R	6	Finch JCT	Finch TS	TDF
C4R	9	Leslie TS	Finch JCT	DFL
C550VP	15	Parkway JCT	Parkway TS	N
C550VP	18	Cherrywood TS	Parkway JCT	N
C550VP	19	Parkway JCT	Claireville TS	N
C551V	21	Cherrywood TS	Claireville TS	N
C552V	1	Cherrywood TS	Claireville TS	N

Operation Designation	Section	From	To	Functional Category
C553VP	1	Cherrywood TS	Parkway JCT	N
C553VP	2	Parkway JCT	Claireville TS	N
C553VP	3	Parkway JCT	Parkway TS	N
C5E	1	Cecil TS	Terauley TS	LC
C5E	2	Terauley TS	Manhole A OPF	LC
C5E	3	Manhole A OPF	Esplanade TS	LC
C5R	1	Cherrywood TS	Malvern TS	DFL
C5R	2	Malvern TS	Agincourt JCT	DFL
C5R	3	Agincourt JCT	Leslie TS	DFL
C5R	4	Leslie TS	Richview TS	DFL
C5R	6	Leslie TS	Leslie TS	TDF
C6T	1	Abitibi Canyon SS	Otter Rapids SS	LC
C6T	2	Otter Rapids SS	Otter Rapids SS	LC
C6T	3	Otter Rapids SS	Otter Rapids SS	OTHER
C6T	4	Otter Rapids SS	Otter Rapids GS	OTHER
C7BM	1	Arnprior JCT	Barrett Chute SS	DFL
C7BM	2	Fitzroy JCT	Arnprior JCT	DFL
C7BM	3	Chats Falls SS	Fitzroy JCT	TDF
C7BM	4	Fitzroy JCT	NQL1 B JCT	DFL
C7BM	6	NQL1 B JCT	Merivale TS	DFL
C7BM	7	NQL1 B JCT	Centre Point JCT	TDF
C7BM	8	Woodroffe TS	Lincoln Heights TS	LC
C7BM	9	NQL1 B JCT	Manordale JCT	TDF
C7BM	10	Arnprior JCT	Arnprior TS	TDF
C7BM	11	Centre Point JCT	Woodroffe TS	LC
C7BM	14	Manordale JCT	Manordale JCT	LC
C7BM	19	Centre Point JCT	Centre Point MTS	LC
C7BM	20	Centre Point MTS	Centre Point MTS	LC
C7BM	21	Centre Point MTS	Centre Point MTS	LC
C7BM	24	Manordale JCT	Manordale MTS	LC
C7BM	25	Manordale JCT	Manordale MTS	LC
C7E	1	Cecil TS	Terauley TS	LC
C7E	2	Terauley TS	Manhole A OPF	LC
C7E	3	Manhole A OPF	Esplanade TS	LC
C9	1	Caledonia TS	Caledonia Q35M JCT	LC
C9	2	Caledonia Q35M JCT	Hartford JCT	LC
C9	3	Hartford JCT	Vanessa JCT	LC
C9	4	Caledonia Q35M JCT	Caledonia Q35M JCT	OTHER
C9	5	Vanessa JCT	Bloomsburg JCT	LC
C9	6	Bloomsburg JCT	Norfolk TS	LC
C9	7	Bloomsburg JCT	Bloomsburg MTS	LC

Operation Designation	Section	From	To	Functional Category
D10H	1	Detweiler TS	Leong JCT	LC
D10H	2	Leong JCT	Waterloo JCT	LC
D10H	3	Waterloo JCT	Wallenstein JCT	LC
D10H	4	Wallenstein JCT	Palmerston TS	OTHER
D10H	5	Palmerston TS	Hanover TS	LC
D10H	6	Waterloo JCT	Rush MTS	LC
D10H	7	Wallenstein JCT	Elmira TS	LC
D10S	1	DeCew Falls SS	Hooper's JCT	LC
D10S	2	Hooper's JCT	Vansickle TS	LC
D10S	3	Vansickle TS	Louth JCT	LC
D10S	4	Louth JCT	Glendale TS	LC
D10S	6	Louth JCT	Carlton TS	LC
D11K	1	Detweiler TS	Kitchener #1&4 JCT	LC
D11K	2	Kitchener #1&4 JCT	Kitchener MTS#1	LC
D11K	3	Kitchener #1&4 JCT	Kitchener MTS#4	LC
D12K	1	Detweiler TS	Kitchener #1&4 JCT	LC
D12K	2	Kitchener #1&4 JCT	Kitchener MTS#1	LC
D12K	3	Kitchener #1&4 JCT	Kitchener MTS#4	LC
D1A	1	Holland Road JCT	Allanburg TS	LC
D1A	2	Fibre JCT	Holland Road JCT	LC
D1A	3	Gibson JCT	Fibre JCT	LC
D1A	4	St.Johns Valley JCT	Gibson JCT	LC
D1A	5	Hooper's JCT	St.Johns Valley JCT	LC
D1A	6	DeCew Falls SS	Hooper's JCT	LC
D1A	7	Holland Road JCT	Abitib Con NF49 CTS	LC
D1A	8	Fibre JCT	Georgia Pacific CTS	LC
D1A	9	Gibson JCT	Thorold TS	LC
D1M	1	Des Joachims TS	Minden TS	N
D1W	1	Detweiler JCT	Wolverton JCT	LC
D1W	2	Wolverton JCT	D1W STR 82 JCT	OTHER
D1W	3	Wolverton JCT	Wolverton DS	LC
D26A	1	Dryden TS	Mackenzie TS	N
D2L	1	Dymond TS	Upper Notch JCT	DFL
D2L	2	Upper Notch JCT	Cassels 2 JCT	DFL
D2L	3	Upper Notch JCT	Cassels 2 JCT	DFL
D2L	4	Cassels 2 JCT	Herridge Lake JCT	DFL
D2L	5	Cassels 2 JCT	Herridge Lake JCT	DFL
D2L	6	Herridge Lake JCT	Marten River JCT	DFL
D2L	7	Herridge Lake JCT	Marten River JCT	DFL
D2L	8	Marten River JCT	D2L STR 409 JCT	DFL
D2L	9	Marten River JCT	D2L STR 409 JCT	DFL

Operation Designation	Section	From	To	Functional Category
D2L	10	Cassels JCT	Temagami DS	TDF
D2L	13	Cassels 2 JCT	Cassels JCT	DFL
D2L	14	Cassels JCT	Cassels 2 JCT	DFL
D2L	15	Herridge Lake JCT	Herridge Lake DS	DFL
D2L	16	Herridge Lake DS	Herridge Lake JCT	DFL
D2L	17	D2L STR 409 JCT	Crystal Falls SS	DFL
D2M	1	Des Joachims TS	Otter Creek JCT	DFL
D2M	2	Otter Creek JCT	Minden TS	DFL
D2M	3	Otter Creek JCT	Wallace JCT	LC
D2M	4	Otter Creek JCT	Otter Creek JCT	TDF
D2M	5	Wallace JCT	Wallace TS	LC
D2M	6	Wallace JCT	Wallace TS	LC
D3A	1	Fibre JCT	Allanburg TS	LC
D3A	2	St.Johns Valley JCT	Gibson JCT	LC
D3A	3	Hooper's JCT	St.Johns Valley JCT	LC
D3A	4	DeCew Falls SS	Hooper's JCT	LC
D3A	5	Gibson JCT	Thorold TS	LC
D3A	6	Allanburg TS	Michigan JCT	LC
D3A	7	Michigan JCT	ASW Steel JCT	LC
D3A	8	Gibson JCT	Fibre JCT	LC
D3A	9	Fibre JCT	Fibre JCT	OTHER
D3A	10	ASW Steel JCT	ASW Steel CTS	LC
D3A	11	ASW Steel JCT	ASW Steel CTS	LC
D3K	1	Dymond TS	Nine Mile JCT	DFL
D3K	2	Nine Mile JCT	Dane JCT	DFL
D3K	3	Dane JCT	Gull Lake South JCT	DFL
D3K	4	Dane JCT	Notre Developmnt CTS	OTHER
D3K	5	Gull Lake South JCT	Kirkland Lake TS	DFL
D3M	1	Des Joachims TS	Minden TS	N
D4M	1	Des Joachims TS	Otter Creek JCT	N
D4M	2	Otter Creek JCT	Minden TS	N
D4W	1	Detweiler TS	Kitchener #9 JCT	DFL
D4W	2	Kitchener #9 JCT	Buchanan TS	DFL
D4W	3	Kitchener #9 JCT	Kitchener MTS#9	TDF
D4Z	1	Dymond TS	Nine Mile JCT	N
D4Z	2	Nine Mile JCT	IPB Casey JCT	N
D501P	3	Pinard TS	Porcupine TS	N
D5A	1	St.Isidore TS	Cumberland JCT	N
D5A	2	Cumberland JCT	Hawthorne TS	N
D5A	3	St.Isidore TS	Longueuil JCT	LC
D5A	4	Longueuil JCT	Ivaco CTS	LC

Operation Designation	Section	From	To	Functional Category
D5A	5	Longueuil JCT	Longueuil TS	LC
D5A	6	Cumberland JCT	IPB Masson JCT	N
D5D	1	Dryden TS	Dryden JCT B	LC
D5D	2	Dryden JCT B	Domtar Dryden CTS	LC
D5D	3	Dryden JCT B	Dryden JCT B	OTHER
D5H	1	Des Joachims TS	Otto Holden TS	N
D5W	1	Detweiler TS	Kitchener #9 JCT	DFL
D5W	2	Kitchener #9 JCT	Buchanan TS	DFL
D5W	3	Kitchener #9 JCT	Kitchener MTS#9	TDF
D6	1	Des Joachims TS	Des Joachims JCT	LC
D6	2	Des Joachims JCT	Tee Lake JCT	LC
D6	3	Tee Lake JCT	Deep River DS	LC
D6	4	Deep River DS	Chalk River CTS	LC
D6	5	Des Joachims JCT	Des Joachims DS	LC
D6	6	Tee Lake JCT	N.P.D. NGS	OTHER
D6	7	Chalk River CTS	19D684-1 JCT	LC
D6	8	Petawawa JCT	Forest Lea JCT	LC
D6	9	Forest Lea JCT	Pembroke TS	OTHER
D6	10	Forest Lea JCT	Forest Lea DS	LC
D6	11	Petawawa JCT	Craig JCT	LC
D6	12	Craig JCT	Petawawa DS	LC
D6	13	Craig JCT	Craig DS	LC
D6	14	19D684-1 JCT	Petawawa JCT	LC
D6V	1	Detweiler TS	Waterloo North 3 JCT	DFL
D6V	2	Scheifele JCT	Guelph North JCT	DFL
D6V	3	Fergus JCT	Orangeville TS	DFL
D6V	4	Fergus JCT	Fergus TS	TDF
D6V	5	Guelph North JCT	Fergus JCT	DFL
D6V	6	Guelph North JCT	Campbell TS	TDF
D6V	7	Waterloo North 3 JCT	Scheifele JCT	DFL
D6V	8	Waterloo North 3 JCT	Waterloo North MTS 3	TDF
D6V	9	Scheifele JCT	Scheifele MTS	TDF
D6Y	1	Duplex TS	Glengrove TS	LC
D7F	1	Detweiler TS	Detweiler JCT	LC
D7F	2	Detweiler JCT	Kitchener #6 JCT	LC
D7F	3	Kitchener #6 JCT	Siebert JCT	LC
D7F	4	Siebert JCT	Kitchener MTS#7	LC
D7F	5	Kitchener MTS#7	Freeport SS	LC
D7F	6	Siebert JCT	Kitchener #2&3 JCT	LC
D7F	7	Kitchener #2&3 JCT	Kitchener MTS#3	LC
D7F	9	Kitchener MTS#7	Kitchener MTS#7	LC

Operation Designation	Section	From	To	Functional Category
D7V	1	Detweiler TS	Waterloo North 3 JCT	DFL
D7V	2	Scheifele JCT	Guelph North JCT	DFL
D7V	3	Fergus JCT	Orangeville TS	DFL
D7V	4	Fergus JCT	Fergus TS	TDF
D7V	5	Guelph North JCT	Fergus JCT	DFL
D7V	6	Guelph North JCT	Campbell TS	TDF
D7V	7	Waterloo North 3 JCT	Scheifele JCT	DFL
D7V	8	Waterloo North 3 JCT	Waterloo North MTS 3	TDF
D7V	9	Scheifele JCT	Scheifele MTS	TDF
D8S	1	Detweiler TS	Leong JCT	LC
D8S	2	Leong JCT	St.Marys TS	LC
D8S	3	Leong JCT	Rush MTS	LC
D9F	1	Detweiler TS	Detweiler JCT	LC
D9F	2	Detweiler JCT	Kitchener #6 JCT	LC
D9F	3	Kitchener #6 JCT	Siebert JCT	LC
D9F	4	Siebert JCT	Kitchener MTS#7	LC
D9F	5	Kitchener MTS#7	Freeport SS	LC
D9F	6	Siebert JCT	Kitchener #2&3 JCT	LC
D9F	7	Kitchener #2&3 JCT	Kitchener MTS#3	LC
D9F	9	Kitchener MTS#7	Kitchener MTS#7	LC
D9HS	1	DeCew Falls SS	Hooper's JCT	LC
D9HS	2	Hooper's JCT	Vansickle TS	LC
D9HS	3	Vansickle TS	Louth JCT	LC
D9HS	7	Louth JCT	Carlton TS	LC
D9HS	8	Beach Road JCT	Beach TS	LC
D9HS	9	Louth JCT	Glendale TS	LC
E1C	1	Ear Falls TS	Selco JCT	LC
E1C	2	Selco JCT	Slate Falls JCT	LC
E1C	3	Etruscan JCT	Placer JCT	LC
E1C	5	Etruscan JCT	Etruscan Entrprs CTS	OTHER
E1C	8	Golden Patricia JCT	Etruscan JCT	LC
E1C	11	Slate Falls JCT	Golden Patricia JCT	LC
E1C	12	Slate Falls JCT	Slate Falls DS	LC
E1C	13	Placer JCT	Crow River DS	LC
E1C	14	Placer JCT	Placer JCT	LC
E1C	15	Placer JCT	Crow River DS	LC
E1C	16	Placer JCT	Musselwhite CSS	LC
E1W	1	Essa TS	Minesing JCT	OTHER
E1W	2	County Road 23 JCT	Waubashene TS	OTHER
E20S	1	Essa TS	Stayner TS	N
E21S	1	Essa TS	Stayner TS	N

Operation Designation	Section	From	To	Functional Category
E26	1	Essa TS	Waubauskene JCT	LC
E26	2	Waubauskene JCT	Parry Sound JCT	LC
E26	3	Parry Sound JCT	Parry Sound TS	LC
E26	4	Waubauskene JCT	Waubauskene TS	LC
E27	1	Essa TS	Waubauskene JCT	LC
E27	2	Waubauskene JCT	Parry Sound JCT	LC
E27	3	Parry Sound JCT	Parry Sound TS	LC
E27	4	Waubauskene JCT	Waubauskene TS	LC
E2Q	1	Elliot Lake TS	Quirke Lake JCT	OTHER
E2Q	2	Quirke Lake JCT	Denison Mines CTS	OTHER
E2R	1	Ear Falls TS	Pakwash JCT	LC
E2R	2	Pakwash JCT	Red Lake TS	LC
E3B	1	Essa TS	Barrie TS	LC
E4B	1	Essa TS	Barrie TS	LC
E4D	1	Ear Falls TS	Scout Lake JCT	LC
E4D	2	Scout Lake JCT	Dryden TS	LC
E4D	3	Scout Lake JCT	Perrault Falls DS	LC
E510V	1	Essa TS	Claireville TS	N
E511V	1	Essa TS	Claireville TS	N
E8F	1	Essex TS	Chrysler WAP MTS	LC
E8F	2	Chrysler WAP MTS	G.M.Windsor MTS	LC
E8F	3	G.M.Windsor MTS	Ford Annex MTS	LC
E8F	4	Ford Annex MTS	Ford Windsor MTS	LC
E8F	5	Ford Windsor MTS	East Windsor CGS	LC
E8V	1	Essa TS	Alliston JCT	DFL
E8V	2	Alliston JCT	Everett JCT	DFL
E8V	3	Alliston JCT	Alliston TS	TDF
E8V	4	Alliston JCT	Alliston TS	TDF
E8V	6	Alliston JCT	Alliston JCT	DFL
E8V	7	Everett JCT	Orangeville TS	DFL
E8V	8	Everett JCT	Everett TS	TDF
E9F	1	Essex TS	Chrysler WAP MTS	LC
E9F	2	Chrysler WAP MTS	G.M.Windsor MTS	LC
E9F	3	G.M.Windsor MTS	Ford Annex MTS	LC
E9F	4	Ford Annex MTS	Ford Windsor MTS	LC
E9F	5	Ford Windsor MTS	East Windsor CGS	LC
E9V	1	Essa TS	Alliston JCT	DFL
E9V	2	Alliston JCT	Everett JCT	DFL
E9V	3	Alliston JCT	Alliston TS	TDF
E9V	4	Alliston JCT	Alliston TS	OTHER
E9V	6	Alliston JCT	Alliston JCT	DFL

Operation Designation	Section	From	To	Functional Category
E9V	7	Everett JCT	Orangeville TS	DFL
E9V	8	Everett JCT	Everett TS	TDF
F10MV	1	Merivale TS	City View JCT	LC
F10MV	2	City View JCT	Val Tetreau JCT	LC
F10MV	4	City View JCT	Woodroffe TS	LC
F10MV	5	Woodroffe TS	Lincoln Heights TS	LC
F10MV	6	Val Tetreau JCT	Hinchey TS	LC
F11C	1	Freeport SS	Speedsville JCT	LC
F11C	2	Speedsville JCT	Preston TS	OTHER
F11C	3	Speedsville JCT	C.G.E. JCT	LC
F11C	4	C.G.E. JCT	Cedar TS	LC
F11C	5	Freeport SS	Kitchener Graber JCT	LC
F11C	6	Kitchener Graber JCT	Kitchener MTS#5	LC
F11C	7	Freeport SS	Freeport SS	LC
F12C	1	Freeport SS	Speedsville JCT	LC
F12C	2	Speedsville JCT	Preston TS	LC
F12C	3	Speedsville JCT	C.G.E. JCT	LC
F12C	4	C.G.E. JCT	Cedar TS	LC
F12C	5	Freeport SS	Kitchener Graber JCT	LC
F12C	6	Kitchener Graber JCT	Kitchener MTS#5	LC
F12C	7	Freeport SS	Freeport SS	LC
F1B	1	Fort Frances TS	Fort Frances JCT	LC
F1B	2	Burleigh JCT	Burleigh DS	LC
F1B	3	Fort Frances TS	Fort Frances MTS	LC
F1B	4	Fort Frances JCT	Burleigh JCT	LC
F1B	5	Burleigh JCT	Hwy #11 JCT	OTHER
F1E	1	Kapusking TS	AP Calstock CSS JCT	LC
F1E	2	Nagagami CSS JCT	Hearst TS	LC
F1E	3	Kapusking TS	Spruce Falls TS	N
F1E	4	AP Calstock CSS JCT	A.P. Calstock CSS	LC
F1E	5	AP Calstock CSS JCT	Nagagami CSS JCT	LC
F1E	6	Nagagami CSS JCT	Nagagami CSS	LC
F25A	1	Fort Frances TS	Mackenzie TS	N
F2B	1	Fort Frances TS	H2O Pwr FtFrncs CTS	LC
F3M	1	Fort Frances TS	H2O Pwr FtFrncs CTS	N
F3M	2	H2O Pwr FtFrncs CTS	Int'l Bdy Minn JCT	N
FA16G3K	1	Matachewan JCT	Elk Lake JCT	OTHER
FS23M1	1	Elliot Lake TS	Quirke Lake JCT	OTHER
FS9M6	1	Martindale TS	Dominion Drive DS	OTHER
H	1	Rabbit Lake SS	Kenora DS	LC
H10EJ	1	Hearn SS	Don Fleet JCT	LC

Filed: May 28, 2012

EB-2012-0031

Exhibit G2

Tab 1

Schedule 1

Page 22 of 58

Operation Designation	Section	From	To	Functional Category
H10EJ	2	Don Fleet JCT	Esplanade TS	LC
H10EJ	3	Esplanade TS	John TS	LC
H11L	1	Hearn SS	Waverly OPF	LC
H11L	2	Main TS	Lumsden JCT	LC
H11L	3	Lumsden JCT	Todmorden JCT	LC
H11L	4	Todmorden JCT	Leaside TS	LC
H11L	7	Waverly OPF	Brookside OPF	LC
H11L	8	Brookside OPF	Main TS	LC
H12P	1	Hearn SS	Portlands Energy JCT	LC
H13P	1	Hearn SS	Portlands Energy JCT	LC
H14P	1	Hearn SS	Portlands Energy JCT	LC
H1L	1	Hearn SS	Basin TS	LC
H1L	2	Basin TS	Mill Street JCT	LC
H1L	3	Mill Street JCT	Gerrard TS	LC
H1L	4	Gerrard TS	Bloor Street JCT	LC
H1L	5	Bloor Street JCT	Leaside TS	LC
H1L	6	Basin TS	Basin TS	LC
H1L	7	Gerrard TS	Carlaw TS	LC
H2	1	Wiltshire TS	Wiltshire TS	LC
H22D	1	Harmon GS	Harmon JCT	LC
H22D	2	Harmon JCT	Little Long JCT	LC
H22D	3	Little Long JCT	Pinard TS	LC
H23B	1	Hinchinbrooke SS	Pancake JCT	N
H23B	2	Pancake JCT	Belleville TS	N
H23S	1	Otto Holden TS	Widdifield SS	N
H23S	2	Widdifield SS	Pedley JCT	DFL
H23S	3	Pedley JCT	Martindale TS	DFL
H23S	4	Pedley JCT	Crystal Falls TS	TDF
H24C	1	Havelock TS	Marine JCT	DFL
H24C	2	Marine JCT	Oshawa Area JCT	DFL
H24C	4	Oshawa Area JCT	Columbus JCT	DFL
H24C	5	Columbus JCT	Whitby JCT	DFL
H24C	6	Columbus JCT	Lasco JCT	TDF
H24C	7	Lasco JCT	Thornton JCT	LC
H24C	8	Thornton JCT	Thornton TS	LC
H24C	9	Thornton JCT	Oshawa G.M. JCT	LC
H24C	10	Lasco JCT	Atlantic Packgng JCT	LC
H24C	11	Marine JCT	Otonabee TS	TDF
H24C	12	Atlantic Packgng JCT	Gerdau A. Whitby CTS	LC
H24C	13	Atlantic Packgng JCT	Atlantic Packgng CTS	LC
H24C	14	Oshawa G.M. JCT	Oshawa G.M. TS	LC

Operation Designation	Section	From	To	Functional Category
H24C	15	Oshawa G.M. JCT	G.M.Oshawa JCT	OTHER
H24C	17	Whitby JCT	Cherrywood TS	DFL
H24C	18	Whitby JCT	Whitby TS	TDF
H24S	1	Otto Holden TS	Widdifield SS	N
H24S	2	Widdifield SS	C.P. North Bay JCT	DFL
H24S	3	Grant JCT	Martindale TS	DFL
H24S	4	Widdifield SS	Trout Lake TS	LC
H24S	5	Grant JCT	Crystal Falls TS	TDF
H24S	6	C.P. North Bay JCT	Grant JCT	DFL
H24S	7	C.P. North Bay JCT	C.P. North Bay JCT	TDF
H26C	1	Havelock TS	Marine JCT	DFL
H26C	2	Marine JCT	Oshawa Area JCT	DFL
H26C	4	Oshawa Area JCT	Columbus JCT	DFL
H26C	5	Columbus JCT	Whitby JCT	DFL
H26C	6	Columbus JCT	Lasco JCT	TDF
H26C	7	Lasco JCT	Thornton JCT	LC
H26C	8	Thornton JCT	Thornton TS	LC
H26C	9	Thornton JCT	Oshawa G.M. JCT	LC
H26C	10	Lasco JCT	Atlantic Packgng JCT	LC
H26C	12	Atlantic Packgng JCT	Whitby CGS JCT	LC
H26C	13	Atlantic Packgng JCT	Atlantic Packgng CTS	LC
H26C	14	Oshawa G.M. JCT	Oshawa G.M. TS	LC
H26C	15	Oshawa G.M. JCT	G.M.Oshawa JCT	OTHER
H26C	18	Whitby CGS JCT	Gerdau A. Whitby CTS	LC
H26C	19	Whitby CGS JCT	Whitby CGS	LC
H26C	20	B23C H26C Tie JCT	Cherrywood TS	DFL
H26C	22	Whitby JCT	B23C H26C Tie JCT	DFL
H26C	23	Whitby JCT	Whitby TS	TDF
H27H	1	Hinchinbrooke SS	Bannockburn JCT	N
H27H	2	Bannockburn JCT	Havelock TS	N
H29	1	Hurontario SS	Pleasant TS	LC
H2JK	1	Hearn SS	Basin TS	LC
H2JK	2	Basin TS	Don Fleet JCT	LC
H2JK	3	Basin TS	Don Fleet JCT	LC
H2JK	4	Don Fleet JCT	Esplanade TS	LC
H2JK	5	Esplanade TS	John TS	OTHER
H2JK	6	John TS	Strachan TS	LC
H2JK	8	Riverside JCT	Manby TS	LC
H2JK	9	Strachan TS	Static Head OPF	LC
H2JK	10	Strachan TS	Static Head OPF	LC
H2JK	11	Hearn SS	Basin TS	OTHER

Operation Designation	Section	From	To	Functional Category
H2JK	12	John TS	John TS	LC
H2JK	14	Static Head OPF	Riverside JCT	LC
H2JK	15	Static Head OPF	Riverside JCT	LC
H2N	3	Calstock DS JCT	Calstock DS	LC
H30	1	Hurontario SS	Pleasant TS	LC
H35D	1	Beach TS	Dof.Bay Front CTS	LC
H36D	1	Beach TS	Dof.Bay Front CTS	LC
H3L	1	Hearn SS	Basin TS	LC
H3L	2	Basin TS	Mill Street JCT	LC
H3L	3	Mill Street JCT	Gerrard TS	LC
H3L	5	Gerrard TS	Bloor Street JCT	LC
H3L	6	Bloor Street JCT	Leaside TS	LC
H3L	7	Basin TS	Basin TS	LC
H3L	8	Gerrard TS	Carlaw TS	LC
H3L	9	Gerrard TS	Bloor Street JCT	LC
H4Z	1	Otto Holden TS	IPB La Cave JCT	N
H5K	1	Beach TS	Kenilworth TS	LC
H6K	1	Beach TS	Kenilworth TS	LC
H6LC	1	Hearn SS	Don Fleet JCT	LC
H6LC	2	Gerrard JCT	Bloor Street JCT	LC
H6LC	3	Bloor Street JCT	Leaside TS	LC
H6LC	4	Gerrard JCT	Cecil TS	LC
H6LC	5	Don Fleet JCT	Gerrard JCT	LC
H6T	1	Hunta SS	Tisdale JCT	DFL
H6T	2	Tisdale JCT	Laforest Road JCT	DFL
H6T	3	Laforest Road JCT	Timmins TS	DFL
H6T	4	Laforest Road JCT	Laforest Road DS	TDF
H7L	1	Hearn SS	Waverly OPF	LC
H7L	2	Main TS	Lumsden JCT	LC
H7L	3	Lumsden JCT	Todmorden JCT	LC
H7L	4	Todmorden JCT	Leaside TS	LC
H7L	7	Waverly OPF	Brookside OPF	LC
H7L	8	Brookside OPF	Main TS	LC
H7T	1	Hunta SS	Warkus JCT	DFL
H7T	2	Warkus JCT	Timmins TS	DFL
H7T	3	Warkus JCT	Kidd Minesite CTS	TDF
H8LC	1	Hearn SS	Don Fleet JCT	LC
H8LC	2	Gerrard JCT	Bloor Street JCT	LC
H8LC	3	Bloor Street JCT	Leaside TS	LC
H8LC	4	Gerrard JCT	Cecil TS	LC
H8LC	5	Don Fleet JCT	Gerrard JCT	LC

Operation Designation	Section	From	To	Functional Category
H9A	1	Hawthorne TS	Borromee JCT	LC
H9A	2	Borromee JCT	Wilhaven JCT	LC
H9A	3	Cumberland JCT	Gamble H9A JCT	LC
H9A	5	Borromee JCT	Navan DS	LC
H9A	7	Wilhaven JCT	Cumberland JCT	LC
H9A	10	Orleans JCT	Bilberry Creek JCT	LC
H9A	11	Cumberland DS JCT	Orleans JCT	LC
H9A	12	Gamble H9A JCT	Cumberland DS JCT	LC
H9A	13	Gamble H9A JCT	IPB Masson JCT	N
H9A	15	Bilberry Creek JCT	Bilberry Creek TS	LC
H9A	16	Cumberland DS JCT	Cumberland DS	LC
H9A	17	Cumberland DS JCT	Cumberland DS	LC
H9A	19	Wilhaven JCT	Wilhaven DS	LC
H9A	20	Cumberland DS JCT	Cumberland DS JCT	LC
H9A	21	Bilberry Creek JCT	Bilberry Creek JCT	OTHER
H9A	22	Cumberland DS JCT	Cumberland DS JCT	LC
H9A	23	Cumberland DS JCT	Cumberland DS	OTHER
H9A	24	Gamble H9A JCT	Gamble H9A JCT	LC
H9EJ	1	Hearn SS	Don Fleet JCT	LC
H9EJ	2	Don Fleet JCT	Esplanade TS	LC
H9EJ	3	Esplanade TS	John TS	LC
H9K	1	Hunta H9K JCT	Smooth Rock Fals JCT	DFL
H9K	2	Hunta H9K JCT	H9K STR 127A JCT	DFL
H9K	3	H9K STR 127A JCT	Gemini Smooth Rk JCT	DFL
H9K	4	Gemini Smooth Rk JCT	Fauquier JCT	DFL
H9K	5	Fauquier JCT	Carmichael Falls JCT	DFL
H9K	6	Carmichael Falls JCT	Spruce Falls JCT	DFL
H9K	7	Spruce Falls JCT	Kapuskasing TS	DFL
H9K	9	Gemini Smooth Rk JCT	Gemini Smooth Rk CGS	TDF
H9K	10	Fauquier JCT	Fauquier DS	TDF
H9K	11	Carmichael Falls JCT	Carmichael Falls JCT	TDF
H9K	14	Hunta SS	Hunta H9K JCT	DFL
H9K	15	Smooth Rock Fals JCT	H9K STR 127A JCT	DFL
H9K	16	Smooth Rock Fals JCT	Smooth Rock Falls DS	TDF
H9K	18	Kapuskasing R Jct	Tembec Kapuskas CTS	OTHER
HL3	1	Beach TS	Birmingham TS	LC
HL3	2	Birmingham TS	Specialty Bar JCT	LC
HL3	3	Specialty Bar JCT	Stirton TS	LC
HL3	4	Stirton TS	Elgin TS	OTHER
HL3	5	Elgin TS	Newton TS	LC
HL3	6	Specialty Bar JCT	Specialty Bar CTS	LC

Operation Designation	Section	From	To	Functional Category
HL4	1	Beach TS	Birmingham TS	LC
HL4	2	Birmingham TS	Specialty Bar JCT	LC
HL4	3	Specialty Bar JCT	Stirton TS	LC
HL4	4	Stirton TS	Elgin TS	OTHER
HL4	5	Elgin TS	Newton TS	LC
HL4	6	Specialty Bar JCT	Specialty Bar CTS	LC
IDLE12	1	Beach Road JCT	Beach TS	OTHER
IDLE13	1	Beach Road JCT	Beach TS	OTHER
IDLE14	1	Beach TS	Beach STR 44 JCT	OTHER
IDLE15	1	Allanburg West JCT	Rosedene JCT	OTHER
IDLE18	1	IDLE18 STR2 J	IDLE18 STR14 J	OTHER
IDLE19	1	Atikokan TGS	Marmion Lake JCT	OTHER
IDLE20	1	Buchanan TS	Buchanan JCT	OTHER
IDLE22	1	Des Joachims TS	Colony Lane JCT	OTHER
IDLE23	1	Nia Park EP J	Mid R. JCT Niagara	OTHER
IDLE4	1	Birch JCT	Bridgman JCT	OTHER
IDLE8	1	Claireville TS	Claireville JCT	OTHER
IDLE9	1	Claireville TS	Claireville JCT	OTHER
J1B	1	Keith TS	Brighton Intface JCT	LC
J20B	1	Keith TS	Brighton Intface JCT	LC
J2N	1	Keith TS	W.Windsor Power JCT	LC
J3E	1	Keith TS	Crawford JCT	DFL
J3E	2	Crawford JCT	Essex TS	DFL
J3E	3	Crawford JCT	Crawford TS	TDF
J4E	1	Keith TS	Crawford JCT	DFL
J4E	2	Crawford JCT	Essex TS	DFL
J4E	3	Crawford JCT	Crawford TS	TDF
J5D	1	Keith TS	Mid R. JCT Waterman	N
K10SB	1	Richview JCT	Manby TS	OTHER
K10SB	2	Scarboro Idle JCT	Leaside Idle JCT	OTHER
K11W	1	Manby TS	Runnymede TS	LC
K11W	2	Runnymede TS	Wiltshire TS	LC
K12	1	Karn TS	Woodstock TS	LC
K12	2	Woodstock TS	Commerce Way TS	LC
K12W	1	Manby TS	Runnymede TS	LC
K12W	2	Runnymede TS	Wiltshire TS	LC
K13J	1	Manby TS	Riverside JCT	LC
K13J	3	Strachan TS	John TS	LC
K13J	4	Riverside JCT	Strachan TS	LC
K13J	5	Strachan TS	Strachan TS	LC
K14J	1	Manby TS	Riverside JCT	LC

Operation Designation	Section	From	To	Functional Category
K14J	3	Strachan TS	John TS	LC
K14J	4	Riverside JCT	Strachan TS	LC
K14J	5	Strachan TS	Strachan TS	LC
K1G	1	Kenilworth TS	Gage TS	LC
K1W	1	Manby TS	St.Clair Avenue JCT	LC
K1W	2	St.Clair Avenue JCT	Wiltshire TS	LC
K1W	4	St.Clair Avenue JCT	Fairbank TS	LC
K2	1	Kirkland Lake TS	Gull Lake North JCT	LC
K2	2	Gull Lake North JCT	Gull Lake South JCT	LC
K2	6	Gull Lake South JCT	Holloway Holt JCT	LC
K21C	1	Manby TS	Manby TS	LC
K21C	2	Manby TS	Applewood JCT	LC
K21C	3	Manby TS	Applewood JCT	LC
K21C	4	Applewood JCT	Applewood JCT	LC
K21C	5	Applewood JCT	Cooksville TS	LC
K21C	6	Cooksville TS	Cooksville TS	LC
K21W	1	Kenora TS	IPB Manitoba 230 JCT	N
K22W	1	Kenora TS	IPB Manitoba 230 JCT	N
K23C	1	Manby TS	Applewood JCT	LC
K23C	2	Applewood JCT	Cooksville TS	LC
K23C	3	Applewood JCT	Applewood JCT	OTHER
K23D	1	Kenora TS	TCPL Vermill Bay JCT	DFL
K23D	2	TCPL Vermill Bay JCT	Dryden TS	DFL
K23D	3	TCPL Vermill Bay JCT	TCPL Vermill Bay CTS	TDF
K24F	1	Kenora TS	Fort Frances TS	N
K2G	1	Kenilworth TS	Gage TS	LC
K2M	1	Rabbit Lake SS	Norman JCT	LC
K2Z	1	Kent TS	Kent JCT	OTHER
K2Z	2	Kent JCT	Tilbury JCT	OTHER
K2Z	3	Tilbury JCT	Woodslee JCT	LC
K2Z	4	Woodslee JCT	Lauzon JCT	LC
K2Z	5	Tilbury JCT	Tilbury West JCT	LC
K2Z	6	Woodslee JCT	Gosfield CGS JCT	LC
K2Z	7	Tilbury JCT	Belle River JCT	OTHER
K2Z	8	Tilbury West JCT	Tilbury West JCT	LC
K2Z	9	Tilbury West JCT	Tilbury West JCT	OTHER
K2Z	10	Tilbury West JCT	Tilbury West DS	LC
K2Z	11	Tilbury West JCT	Tilbury TS	LC
K2Z	12	Lauzon JCT	Lauzon TS	LC
K2Z	13	Rourke Line JCT	Belle River JCT	OTHER
K2Z	14	Lauzon JCT	Rourke Line JCT	LC

Operation Designation	Section	From	To	Functional Category
K2Z	15	Rourke Line JCT	Belle River TS	LC
K2Z	16	Gosfield CGS JCT	Kingsville TS	LC
K2Z	17	Gosfield CGS JCT	Gosfield Wind CGS	LC
K3	1	Kapuskasing TS	Kapuskasing R Jct	LC
K38S	1	Kapuskasing TS	Spruce Falls JCT	DFL
K38S	2	Spruce Falls JCT	O'brien JCT	DFL
K38S	3	Spruce Falls JCT	C.P. Kapuskasing JCT	TDF
K38S	5	O'brien JCT	Spruce Falls TS	DFL
K38S	6	O'brien JCT	Tembec Kapuskas CTS	TDF
K3D	1	Rabbit Lake SS	K3D-10 SW JCT	DFL
K3D	2	K3D-10 SW JCT	Vermilion Bay JCT	DFL
K3D	3	Vermilion Bay JCT	Eton JCT	DFL
K3D	4	Vermilion Bay JCT	Vermilion Bay DS	TDF
K3D	5	Dryden TS	Sam Lake DS	LC
K3D	6	Eton JCT	Dryden TS	DFL
K3D	7	Eton JCT	Eton DS	TDF
K3W	1	Manby TS	St.Clair Avenue JCT	LC
K3W	2	St.Clair Avenue JCT	Wiltshire TS	LC
K3W	4	St.Clair Avenue JCT	Fairbank TS	LC
K4	1	Kirkland Lake TS	Macassa Mill JCT	LC
K4	3	Macassa #3 JCT	93K4-89 JCT	LC
K4	4	Matachewan JCT	Extender Min. JCT	OTHER
K4	5	Extender Min. JCT	Elk Lake JCT	OTHER
K4	7	Macassa #3 JCT	Macassa #3 JCT	LC
K4	8	Matachewan JCT	Young-Davidson CTS	LC
K4	9	93K4-89 JCT	Matachewan JCT	LC
K4	10	Macassa Mill JCT	Macassa #3 JCT	LC
K4	11	Macassa Mill JCT	Macassa Mill JCT	LC
K4W	1	Rabbit Lake SS	Minaki JCT	LC
K4W	2	Minaki JCT	Whitedog Falls SS	LC
K4W	3	Minaki JCT	Minaki DS	LC
K4W	4	Minaki JCT	Minaki DS	LC
K5W	1	Rabbit Lake SS	Minaki JCT	LC
K5W	3	Minaki JCT	Whitedog Falls SS	LC
K6F	1	Rabbit Lake SS	Margach JCT	DFL
K6F	2	Margach JCT	Sioux Narrows JCT	DFL
K6F	3	K6F-10 SW JCT	Nestor Falls JCT	DFL
K6F	4	Nestor Falls JCT	Ainsworth JCT	DFL
K6F	5	Sioux Narrows JCT	Sioux Narrows DS	TDF
K6F	6	Nestor Falls JCT	Nestor Falls DS	TDF
K6F	7	Sioux Narrows JCT	K6F-10 SW JCT	DFL

Operation Designation	Section	From	To	Functional Category
K6F	8	Ainsworth JCT	Fort Frances JCT	DFL
K6F	10	Margach JCT	Margach DS	OTHER
K6F	11	Margach JCT	Margach DS	TDF
K6F	12	Ainsworth JCT	Ainsworth Str #4 JCT	TDF
K6F	13	Fort Frances JCT	Fort Frances TS	DFL
K6F	14	Fort Frances JCT	Fort Frances JCT	OTHER
K6J	1	Manby TS	Riverside JCT	LC
K6J	2	Riverside JCT	Static Head OPF	LC
K6J	3	Strachan TS	John TS	LC
K6J	4	Riverside JCT	Static Head OPF	LC
K6J	5	Static Head OPF	Strachan TS	LC
K6J	6	Static Head OPF	Strachan TS	LC
K6Z	1	Kent TS	Tilbury JCT	OTHER
K6Z	3	Belle River JCT	Rourke Line JCT	LC
K6Z	4	Kingsville TS	Pte-Aux-RochesWF JCT	LC
K6Z	5	Lauzon JCT	Lauzon TS	LC
K6Z	6	Rourke Line JCT	Lauzon JCT	LC
K6Z	7	Rourke Line JCT	Belle River TS	LC
K6Z	11	Pte-Aux-RochesWF JCT	Belle River JCT	LC
K6Z	12	Pte-Aux-RochesWF JCT	Pte-Aux-RochesWF CGS	LC
K7	1	Karn TS	Woodstock TS	LC
K7	2	Woodstock TS	Commerce Way TS	LC
K7B	7	Vansco JCT	Manby TS	OTHER
K7K	1	Kenora TS	Kenora TS	DFL
K7K	2	Kenora TS	Rabbit Lake SS	DFL
K7K	3	Kenora TS	Weyerhaeuser Ken CTS	TDF
K8B	7	Vansco JCT	Manby TS	OTHER
K9S	1	Richview JCT	Manby TS	OTHER
K9S	2	Scarboro Idle JCT	Leaside Idle JCT	OTHER
L12C	1	Leaside TS	Balfour JCT	LC
L12C	2	Balfour JCT	Charles TS	LC
L12C	3	Charles TS	Cecil TS	LC
L13W	1	Leaside TS	Balfour JCT	LC
L13W	2	Balfour JCT	Bridgman JCT	LC
L13W	3	Bridgman JCT	Dufferin JCT	LC
L13W	4	Dufferin JCT	Wiltshire TS	OTHER
L13W	5	Dufferin JCT	Dufferin TS	LC
L13W	6	Bridgman JCT	Bridgman TS	LC
L13W	7	Bridgman JCT	Bridgman TS	LC
L13W	8	Dufferin JCT	Dufferin JCT	LC
L14W	1	Leaside TS	Bayview JCT	LC

Filed: May 28, 2012

EB-2012-0031

Exhibit G2

Tab 1

Schedule 1

Page 30 of 58

Operation Designation	Section	From	To	Functional Category
L14W	2	Bayview JCT	Joint Bay 4 OPF	LC
L14W	3	Birch JCT	Bridgman JCT	LC
L14W	4	Bridgman JCT	Wiltshire TS	OTHER
L14W	5	Bridgman JCT	Bridgman TS	LC
L14W	6	Joint Bay 4 OPF	Birch JCT	LC
L15W	1	Leaside TS	Bayview JCT	LC
L15W	2	Bayview JCT	Balfour JCT	LC
L15W	3	Balfour JCT	Bridgman JCT	LC
L15W	4	Bridgman JCT	Bartlett JCT	LC
L15W	5	Bartlett JCT	Wiltshire TS	OTHER
L15W	6	Bartlett JCT	Dufferin TS	LC
L15W	7	Bridgman JCT	Bridgman TS	LC
L15W	8	Bartlett JCT	Bartlett JCT	LC
L16D	1	Leaside TS	Duplex TS	LC
L1MB	4	St.Lawrence TS	Lunenburg JCT	LC
L1MB	5	Lunenburg JCT	Morrisburg JCT	LC
L1MB	6	Morrisburg JCT	Casco JCT	LC
L1MB	7	Cardinal JCT	Brockville Chem. JCT	LC
L1MB	8	Brockville Chem. JCT	Brockville TS	OTHER
L1MB	9	Morrisburg JCT	Morrisburg TS	LC
L1MB	10	Cardinal JCT	Enbridge PL Card CTS	LC
L1MB	11	Brockville Chem. JCT	Dyno Nobel CTS	LC
L1MB	13	Casco JCT	Cardinal JCT	LC
L1MB	15	Casco JCT	Cardinal Power CSS	LC
L1S	1	Crystal Falls SS	Verner JCT	DFL
L1S	2	Verner JCT	Warren DS	DFL
L1S	3	Warren DS	Coniston TS	DFL
L1S	4	Coniston TS	Sudbury JCT	DFL
L1S	5	Sudbury JCT	Martindale TS	DFL
L1S	6	Sudbury JCT	Milman Foundry JCT	TDF
L1S	7	Verner JCT	Verner POLE 45 JCT	TDF
L1S	8	Verner POLE 45 JCT	Verner DS	OTHER
L1S	9	Verner POLE 45 JCT	Verner DS	LC
L1S	10	Warren DS	Warren DS	TDF
L1S	11	Milman Foundry JCT	Milman Foundry CTS	LC
L1S	12	Milman Foundry JCT	Milman Foundry CTS	LC
L20D	1	Little Long JCT	Kipling GS	TDF
L20D	3	Little Long JCT	Pinard TS	DFL
L20D	4	Little Long SS	Little Long JCT	DFL
L20H	1	St.Lawrence TS	Easton JCT	DFL
L20H	2	Easton JCT	Crosby JCT	DFL

Operation Designation	Section	From	To	Functional Category
L20H	3	Easton JCT	Brockville TS	TDF
L20H	4	Crosby JCT	Hinchinbrooke SS	DFL
L20H	7	Crosby JCT	Crosby TS	TDF
L20H	9	Crosby JCT	Crosby TS	TDF
L21H	1	St.Lawrence TS	Easton Yule JCT	DFL
L21H	2	Easton Yule JCT	Crosby JCT	DFL
L21H	3	Easton Yule JCT	Smiths Falls TS	TDF
L21H	4	Crosby JCT	Hinchinbrooke SS	DFL
L21H	7	Crosby JCT	Crosby TS	TDF
L21H	9	Crosby JCT	Crosby TS	OTHER
L21K	1	Lakeview SS	Haig JCT	OTHER
L21K	2	Haig JCT	Applewood JCT	OTHER
L21K	3	Haig JCT	Applewood JCT	OTHER
L21S	1	Little Long SS	Knob JCT	N
L21S	6	C.P. Kapuskasing JCT	Kapuskasing TS	N
L21S	7	Knob JCT	C.P. Kapuskasing JCT	N
L22H	1	St.Lawrence TS	Raisin River JCT	DFL
L22H	2	Raisin River JCT	Easton Yule JCT	DFL
L22H	3	Easton Yule JCT	Easton JCT	DFL
L22H	4	Easton JCT	Hinchinbrooke SS	DFL
L22H	5	Easton JCT	Brockville TS	TDF
L22H	6	Easton Yule JCT	Smiths Falls TS	TDF
L22K	1	Lakeview SS	Haig JCT	OTHER
L22K	2	Haig JCT	Applewood JCT	OTHER
L22K	3	Haig JCT	Applewood JCT	OTHER
L23CK	1	Lakeview SS	Haig JCT	OTHER
L23CK	2	Haig JCT	Applewood JCT	OTHER
L23CK	3	Haig JCT	Applewood JCT	OTHER
L23N	1	Lambton TS #2	Talford JCT	DFL
L23N	2	Talford JCT	Sarnia Scott TS	DFL
L23N	6	Talford JCT	Dupont JCT	TDF
L23N	12	Dupont JCT	Shell Sarnia CTS	LC
L23N	13	Dupont JCT	Nova St Clair R CTS	LC
L24A	1	Raisin River JCT	Hawthorne TS	N
L24A	2	St.Lawrence TS	Raisin River JCT	N
L24CR	1	Lakeview SS	Haig JCT	OTHER
L24CR	2	Haig JCT	Applewood JCT	OTHER
L24CR	3	Haig JCT	Applewood JCT	OTHER
L24L	1	Lambton TS #2	Longwood TS	DFL
L24L	2	Longwood TS	Longwood TS	DFL
L24L	3	Longwood TS	Longwood TS	TDF

Operation Designation	Section	From	To	Functional Category
L25V	1	Lambton TS #2	Nova Moore JCT	DFL
L25V	2	Nova Moore JCT	Nova SS	DFL
L25V	4	Nova Moore JCT	Nova Moore CTS	TDF
L26L	1	Lambton TS #2	Longwood TS	DFL
L26L	2	Longwood TS	Longwood TS	DFL
L26L	3	Longwood TS	Longwood TS	TDF
L27V	1	Lambton TS #2	Nova Moore JCT	DFL
L27V	2	Nova Moore JCT	Nova SS	DFL
L27V	4	Nova Moore JCT	Nova Moore CTS	TDF
L27V	5	Nova SS	Nova Corunna CTS	TDF
L27V	6	Nova SS	Nova SS	DFL
L28C	1	Lambton TS #2	Lynwood JCT	DFL
L28C	2	Lynwood JCT	Chatham SS	DFL
L28C	3	Lynwood JCT	Kent TS	TDF
L29C	1	Lambton TS #2	Lynwood JCT	DFL
L29C	2	Lynwood JCT	Chatham SS	DFL
L29C	3	Lynwood JCT	Kent TS	TDF
L2M	1	Limebank JCT	Merivale TS	LC
L2M	2	Chesterville N. JCT	Marionville JCT	OTHER
L2M	3	Newington JCT	Chesterville S. JCT	LC
L2M	4	St.Lawrence TS	Lunenburg JCT	LC
L2M	5	Lunenburg JCT	Morrisburg JCT	LC
L2M	6	Lunenburg JCT	Newington JCT	LC
L2M	7	Osgoode JCT	Limebank JCT	LC
L2M	8	Morrisburg JCT	Casco JCT	LC
L2M	9	Morrisburg JCT	Morrisburg TS	LC
L2M	10	Brockville Chem. JCT	Dyno Nobel CTS	LC
L2M	11	Brockville Chem. JCT	Brockville TS	OTHER
L2M	12	Casco JCT	Brockville Chem. JCT	LC
L2M	13	Casco JCT	Cardinal Power CSS	LC
L2M	14	Marionville JCT	Osgoode JCT	LC
L2M	15	Osgoode JCT	Russell DS	OTHER
L2M	16	Marionville JCT	Marionville DS	LC
L2M	17	Newington JCT	Newington DS	LC
L2M	19	Chesterville S. JCT	Chesterville TS	LC
L2M	20	Chesterville N. JCT	Chesterville TS	OTHER
L2M	21	Chesterville S. JCT	Chesterville N. JCT	OTHER
L2M	22	Limebank JCT	Limebank JCT	LC
L2M	23	Limebank JCT	Limebank MTS	LC
L2M	24	Limebank JCT	Limebank MTS	LC
L2Y	1	Leaside TS	Glengrove TS	LC

Operation Designation	Section	From	To	Functional Category
L33P	1	St.Lawrence TS	Massena JCT	N
L34P	1	St.Lawrence TS	Massena JCT	N
L37G	1	Lambton TS #2	Greenfld Intface JCT	N
L38G	1	Lambton TS #2	Greenfld Intface JCT	N
L3P	1	Lakehead TS	Port Arthur TS #1	N
L4C	1	Leaside TS	Charles TS	LC
L4D	1	Lambton TS #2	Mid R JCT St CI L4D	N
L4P	1	Lakehead TS	Port Arthur TS #1	N
L4R	1	L4R STR 30 JCT	L4R STR 17 JCT	OTHER
L4S	1	Leaside TS	L4S L5S STR 9 JCT	OTHER
L4S	2	Bermondsey JCT	Scarboro TS	OTHER
L51D	1	Lambton TS #2	Mid R JCT St CI L51D	N
L51D	3	Lambton TS #2	Lambton TS #2	N
L51D	4	Lambton TS #2	Lambton TS #2	N
L5C	4	St.Lawrence TS	L5C MSO JCT	OTHER
L5D	1	Leaside TS	Duplex TS	LC
L5H	1	Otto Holden TS	North Bay TS	DFL
L5H	2	North Bay TS	Commanda JCT	DFL
L5H	3	Commanda JCT	Crystal Falls SS	DFL
L5H	4	Commanda JCT	Commanda JCT	OTHER
L5H	5	Commanda JCT	Nordfibre CTS	OTHER
L5H	6	Commanda JCT	Commanda JCT	OTHER
L5S	1	Leaside TS	L4S L5S STR 9 JCT	OTHER
L5S	2	Bermondsey JCT	Scarboro TS	OTHER
L7S	2	Kirkton JCT	Devizes JCT	LC
L7S	3	Seaforth L7S JCT	Kirkton JCT	LC
L7S	4	Devizes JCT	Portland JCT	LC
L7S	5	Portland JCT	St.Marys TS	LC
L7S	6	Portland JCT	St.Marys Cement CTS	LC
L7S	7	Devizes JCT	Enbrg Bryanston CTS	LC
L7S	8	Kirkton JCT	Biddulph JCT	LC
L7S	9	Biddulph JCT	Grand Bend East JCT	LC
L7S	10	Grand Bend East JCT	Lake Huron WTP CTS	LC
L7S	11	Biddulph JCT	Centralia TS	LC
L7S	12	Centralia TS	McGillivray R&BP CTS	LC
L7S	13	Seaforth TS	Seaforth L7S JCT	LC
L7S	14	Seaforth L7S JCT	Seaforth LSO JCT	OTHER
L7S	15	Grand Bend East JCT	Grand Bend East DS	LC
L9C	1	Leaside TS	Balfour JCT	LC
L9C	2	Balfour JCT	Charles TS	LC
L9C	3	Charles TS	Cecil TS	LC

Operation Designation	Section	From	To	Functional Category
M11S	1	G.M.St Cath CTS	McKinnon's JCT	OTHER
M1R	1	Merivale TS	South Gloucester JCT	LC
M1R	2	South Gloucester JCT	Greely JCT	LC
M1R	3	Greely JCT	Russell DS	LC
M1R	4	Greely JCT	Greely DS	LC
M1R	5	South Gloucester JCT	South Gloucester DS	LC
M1R	6	South Gloucester DS	South Gloucester DS	LC
M1R	7	South Gloucester DS	South Gloucester DS	OTHER
M1R	8	Russell DS	Russell DS	LC
M1R	9	Russell DS	Russell DS	LC
M1R	10	Russell DS	Russell DS	OTHER
M1S	1	Moose Lake TS	Valerie Falls JCT	LC
M1S	2	Mill Creek JCT	H2O Pwr SturgFls CGS	LC
M1S	4	Mill Creek JCT	H2O Pwr Calm Lk CGS	LC
M1S	6	Valerie Falls JCT	Mill Creek JCT	LC
M1T	1	Monteith SS	Reid JCT	OTHER
M1T	2	Reid JCT	Timmins TS	OTHER
M20D	1	Middleport TS	Carluke JCT	DFL
M20D	2	Carluke JCT	Trinity JCT	DFL
M20D	3	Trinity JCT	Galt JCT	DFL
M20D	5	Galt JCT	Kitchener #8 JCT	DFL
M20D	6	Galt JCT	Preston JCT	TDF
M20D	7	Detweiler JCT	Detweiler TS	DFL
M20D	8	Detweiler JCT	Kitchener MTS#6	TDF
M20D	9	Preston JCT	Cambridge #1 JCT	LC
M20D	10	Cambridge #1 JCT	Preston TS	LC
M20D	11	Cambridge #1 JCT	Cambridge NDum MTS#1	LC
M20D	12	Kitchener #8 JCT	Detweiler JCT	DFL
M20D	13	Kitchener #8 JCT	Kitchener MTS#8	TDF
M20D	15	Preston JCT	Galt TS	LC
M20D	16	Preston TS	Preston TS	LC
M21D	1	Middleport TS	Carluke JCT	DFL
M21D	2	Carluke JCT	Trinity JCT	DFL
M21D	3	Trinity JCT	Galt JCT	DFL
M21D	5	Galt JCT	Kitchener #8 JCT	DFL
M21D	6	Galt JCT	Ameristeel Cambr JCT	TDF
M21D	7	Ameristeel Cambr JCT	Preston JCT	LC
M21D	8	Ameristeel Cambr JCT	Ameristeel Cambr CTS	LC
M21D	9	Detweiler JCT	Detweiler TS	DFL
M21D	10	Detweiler JCT	Kitchener MTS#6	TDF
M21D	11	Preston JCT	Cambridge #1 JCT	LC

Operation Designation	Section	From	To	Functional Category
M21D	12	Cambridge #1 JCT	Preston TS	LC
M21D	13	Cambridge #1 JCT	Cambridge NDum MTS#1	LC
M21D	14	Kitchener #8 JCT	Detweiler JCT	DFL
M21D	15	Kitchener #8 JCT	Kitchener MTS#8	TDF
M21D	16	Preston TS	Preston TS	OTHER
M21D	18	Preston JCT	Galt TS	LC
M23L	1	Marathon TS	Greenwich WF CGS JCT	DFL
M23L	2	Greenwich WF CGS JCT	Lakehead TS	DFL
M23L	4	Greenwich WF CGS JCT	Greenwich LakeWF CSS	TDF
M24L	1	Marathon TS	Greenwich WF CGS JCT	DFL
M24L	2	Greenwich WF CGS JCT	Lakehead TS	DFL
M24L	4	Greenwich WF CGS JCT	Greenwich LakeWF CSS	TDF
M27B	1	Middleport TS	Carluke JCT	DFL
M27B	2	Carluke JCT	Southcote JCT	DFL
M27B	3	Southcote JCT	Horning JCT	DFL
M27B	4	Horning JCT	Burlington TS	DFL
M27B	5	Horning JCT	Horning TS	TDF
M28B	1	Middleport TS	Carluke JCT	DFL
M28B	2	Carluke JCT	Southcote JCT	DFL
M28B	3	Southcote JCT	Horning JCT	DFL
M28B	4	Horning JCT	Burlington TS	DFL
M28B	5	Horning JCT	Horning TS	TDF
M29C	1	Merivale TS	Didsbury Road JCT	DFL
M29C	2	Almonte TS	Wilson JCT	DFL
M29C	3	Wilson JCT	Whitby JCT	DFL
M29C	4	Wilson JCT	Wilson TS	TDF
M29C	5	Whitby JCT	Cherrywood TS	DFL
M29C	6	Whitby JCT	Whitby TS	TDF
M29C	7	Almonte TS	Almonte TS	DFL
M29C	8	Almonte TS	Almonte TS	TDF
M29C	9	Almonte TS	Almonte TS	TDF
M29C	10	Didsbury Road JCT	Almonte TS	DFL
M2D	1	Ignace JCT	Dryden TS	DFL
M2D	2	Moose Lake TS	Ignace JCT	DFL
M2D	4	Dryden TS	Dryden TS	DFL
M2D	5	Dryden TS	Dryden JCT B	OTHER
M2W	1	Marathon TS	Pic JCT	LC
M2W	2	Pic JCT	Manitouwadge JCT	LC
M2W	4	Manitouwadge JCT	Willroy JCT	LC
M2W	6	Manitouwadge JCT	Manitouwadge TS	LC
M2W	7	Willroy JCT	Willroy Mines Ltd	OTHER

Operation Designation	Section	From	To	Functional Category
M2W	8	Marathon TS	Black River JCT	LC
M2W	9	Williams Mine JCT	Hemlo Mine JCT	LC
M2W	10	Hemlo Mine JCT	White River DS	LC
M2W	15	Marathon TS	Pic DS	LC
M2W	16	Black River JCT	Umbata Falls JCT	LC
M2W	25	Umbata Falls JCT	Williams Mine JCT	LC
M30A	1	Merivale TS	Albion JCT	DFL
M30A	2	Albion JCT	Ellwood MTS JCT	DFL
M30A	3	Albion JCT	Albion TS	TDF
M30A	5	Ellwood MTS JCT	Ellwood MTS	DFL
M30A	6	Ellwood MTS JCT	Hawthorne TS	DFL
M31A	1	Merivale TS	Albion JCT	DFL
M31A	2	Albion JCT	Ellwood MTS JCT	DFL
M31A	3	Albion JCT	Albion TS	TDF
M31A	5	Ellwood MTS JCT	Ellwood MTS	DFL
M31A	6	Ellwood MTS JCT	Hawthorne TS	DFL
M31W	1	Middleport TS	Carluke JCT	DFL
M31W	2	Carluke JCT	Salford JCT	DFL
M31W	3	Salford JCT	Buchanan TS	DFL
M31W	4	Salford JCT	Ingersoll JCT	TDF
M31W	5	Ingersoll JCT	Ingersoll TS	LC
M31W	6	Ingersoll JCT	Karn TS	LC
M32S	1	Merivale TS	Nepean TS	DFL
M32S	2	Nepean TS	South March TS	DFL
M32S	3	South March TS	Kanata MTS #1	LC
M32W	1	Middleport TS	Carluke JCT	DFL
M32W	2	Carluke JCT	Newport JCT	DFL
M32W	3	Newport JCT	Salford JCT	DFL
M32W	4	Salford JCT	Buchanan TS	DFL
M32W	5	Newport JCT	Brantford TS	TDF
M32W	6	Salford JCT	Ingersoll JCT	TDF
M32W	7	Ingersoll JCT	Ingersoll TS	LC
M32W	8	Ingersoll JCT	Karn TS	LC
M33W	1	Middleport TS	Carluke JCT	DFL
M33W	2	Carluke JCT	Newport JCT	DFL
M33W	3	Newport JCT	Salford JCT	DFL
M33W	4	Salford JCT	Buchanan TS	DFL
M33W	5	Newport JCT	Brantford TS	TDF
M34H	1	Middleport TS	Carluke JCT	N
M34H	2	Carluke JCT	Southcote JCT	N
M34H	3	Southcote JCT	Neale JCT	N

Operation Designation	Section	From	To	Functional Category
M34H	4	Neale JCT	Hannon JCT	N
M34H	5	Hannon JCT	Beach TS	N
M3E	1	Manitou Falls GS	Ear Falls TS	LC
M3K	1	Moosonee SS	Five Nation P310 JCT	OTHER
M3K	2	Five Nation P310 JCT	Five Nation P442 JCT	OTHER
M4G	1	Merivale TS	Nepean Epworth JCT	LC
M4G	2	Nepean Epworth JCT	Ottawa JCT	LC
M4G	3	Carling TS	Lisgar TS	LC
M4G	4	Lisgar TS	Slater TS	LC
M4G	5	Ottawa JCT	Carling TS	LC
M4G	6	Nepean Epworth JCT	Nepean Epworth MTS	LC
M570V	1	Milton SS	Claireville TS	N
M571V	1	Milton SS	Claireville TS	N
M572T	1	Milton SS	Trafalgar TS	N
M573T	1	Milton SS	Trafalgar TS	N
M585M	1	Middleport TS	Milton SS	N
M5G	1	Merivale TS	Nepean Epworth JCT	LC
M5G	2	Nepean Epworth JCT	Ottawa JCT	LC
M5G	3	Carling TS	Lisgar TS	LC
M5G	4	Ottawa JCT	Carling TS	LC
M5G	5	Nepean Epworth JCT	Nepean Epworth MTS	LC
M6E	1	Minden TS	Cooper's Falls JCT	DFL
M6E	2	Cooper's Falls JCT	Orillia TS	DFL
M6E	3	Orillia TS	Midhurst TS	DFL
M6E	4	Cooper's Falls JCT	Bracebridge JCT	TDF
M6E	5	Midhurst TS	Essa TS	DFL
M6E	6	Bracebridge JCT	Muskoka TS	LC
M6E	7	Bracebridge JCT	Bracebridge TS	LC
M7E	1	Minden TS	Cooper's Falls JCT	DFL
M7E	2	Cooper's Falls JCT	Orillia TS	DFL
M7E	3	Orillia TS	Midhurst TS	DFL
M7E	4	Cooper's Falls JCT	Bracebridge JCT	TDF
M7E	5	Midhurst TS	Essa TS	DFL
M7E	6	Bracebridge JCT	Muskoka TS	LC
M80B	1	Minden TS	Beaverton JCT	DFL
M80B	2	Beaverton JCT	Beaver JCT	DFL
M80B	3	Beaver JCT	Brown Hill TS	DFL
M80B	5	Beaverton JCT	Lindsay TS	TDF
M80B	6	Beaver JCT	Beaverton TS	TDF
M81B	1	Minden TS	Beaverton JCT	DFL
M81B	2	Beaverton JCT	Beaver JCT	DFL

Operation Designation	Section	From	To	Functional Category
M81B	3	Beaver JCT	Brown Hill TS	DFL
M81B	5	Beaverton JCT	Lindsay TS	TDF
M81B	6	Beaver JCT	Beaverton TS	TDF
M9K	1	Moosonee DS	Moosonee JCT	LC
M9K	2	Moosonee JCT	Moosonee JCT	LC
M9K	3	Moosonee JCT	Moosonee SS	LC
M9K	4	Moosonee JCT	Moosonee DS	LC
M9K	5	Moosonee JCT	Moosonee DS	LC
N1M	1	Nanticoke TS	Caledonia JCT	DFL
N1M	2	Caledonia JCT	Middleport TS	DFL
N1M	3	Caledonia JCT	Caledonia TS	TDF
N1S	1	Sarnia Scott TS	Vidal JCT	LC
N1S	3	Vidal JCT	Suncor CTS	LC
N21J	1	Nanticoke TS	U.S. Steel Nant JCT	LC
N21J	2	U.S. Steel Nant JCT	Jarvis TS	LC
N21J	3	U.S. Steel Nant JCT	Nanticoke Creek JCT	LC
N21W	1	Sarnia Scott TS	Lucasville JCT	DFL
N21W	2	Lucasville JCT	Bostwick Road JCT	DFL
N21W	3	Bostwick Road JCT	Buchanan TS	DFL
N21W	4	Lucasville JCT	Plank Road JCT	TDF
N21W	5	Bostwick Road JCT	Wonderland TS	TDF
N21W	6	Plank Road JCT	Confederation Rd JCT	LC
N21W	7	Confederation Rd JCT	Modeland TS	LC
N22J	1	Nanticoke TS	U.S. Steel Nant JCT	LC
N22J	2	U.S. Steel Nant JCT	Jarvis TS	LC
N22J	3	U.S. Steel Nant JCT	Nanticoke Creek JCT	LC
N22W	1	Sarnia Scott TS	Lucasville JCT	DFL
N22W	2	Lucasville JCT	Bostwick Road JCT	DFL
N22W	3	Bostwick Road JCT	Buchanan TS	DFL
N22W	4	Lucasville JCT	Plank Road JCT	TDF
N22W	5	Bostwick Road JCT	Wonderland TS	TDF
N22W	6	Plank Road JCT	Confederation Rd JCT	LC
N22W	7	Confederation Rd JCT	Modeland TS	LC
N2M	1	Nanticoke TS	Imp Oil Nanticok JCT	DFL
N2M	2	Imp Oil Nanticok JCT	Caledonia JCT	DFL
N2M	4	Imp Oil Nanticok JCT	Imp Oil Nanticok JCT	TDF
N2M	5	Caledonia JCT	Middleport TS	DFL
N2M	6	Caledonia JCT	Caledonia TS	TDF
N4S	1	Sarnia Scott TS	Vidal JCT	LC
N4S	3	Vidal JCT	Suncor CTS	LC
N580M	1	Nanticoke TS	Middleport TS	N

Operation Designation	Section	From	To	Functional Category
N581M	1	Nanticoke TS	Middleport TS	N
N582L	1	Nanticoke TS	Longwood TS	N
N5K	1	Wallaceburg TS	Kent TS	OTHER
N5K	2	Kimball JCT	Wallaceburg TS	LC
N5K	3	Sarnia Scott TS	Kimball JCT	LC
N5M	1	Nanticoke TS	Caledonia JCT	DFL
N5M	2	Caledonia JCT	Middleport TS	DFL
N5M	3	Caledonia JCT	Caledonia TS	TDF
N6C	1	Sarnia Scott TS	St.Andrews TS	LC
N6M	1	Nanticoke TS	Caledonia JCT	DFL
N6M	2	Caledonia JCT	Middleport TS	DFL
N6M	3	Caledonia JCT	Caledonia TS	TDF
N6S	1	Sarnia Scott TS	Sarnia Scott JCT	LC
N6S	2	Sarnia Scott JCT	Vidal JCT	OTHER
N6S	3	Sarnia Scott JCT	Lanxess Inc JCT	LC
N6S	4	Lanxess Inc JCT	TransAlta Energy JCT	LC
N6S	5	Lanxess Inc JCT	Lanxess Inc CTS	LC
N6S	7	TransAlta Energy JCT	Imperial Oil CTS	LC
N6S	9	TransAlta Energy JCT	TransAlta Energy JCT	LC
N7C	1	Sarnia Scott TS	St.Andrews TS	LC
N7S	1	Sarnia Scott TS	Sarnia Scott JCT	LC
N7S	2	Sarnia Scott JCT	Lanxess Inc JCT	LC
N7S	3	Lanxess Inc JCT	TransAlta Energy JCT	LC
N7S	4	TransAlta Energy JCT	Imperial Oil CTS	LC
N7S	5	Lanxess Inc JCT	Lanxess Inc CTS	LC
N7S	7	TransAlta Energy JCT	TransAlta Energy JCT	LC
N93A	1	Atikokan TGS	Marmion Lake JCT	LC
N93A	2	Marmion Lake JCT	Mackenzie TS	LC
NA12M6	1	Buttonville TS	Gormley JCT	OTHER
NA26M12	1	Leong JCT	Nafziger Road JCT	OTHER
NA41M31	1	Armitage TS	Old Armitage JCT	OTHER
NA41M31	2	Old Armitage JCT	Gormley JCT	OTHER
NA41M42	1	Holland Marsh JCT	West Gwillimby JCT	OTHER
NA54M14	1	O1S STR 141 JCT	O1S STR 131A JCT	OTHER
NA54M14	2	O1S STR 128 JCT	O1S STR 119 JCT	OTHER
NA64M28	1	Alford JCT	Mohawk Str 31 EP JCT	OTHER
NA70M2	1	Clarke L7S-70M2 JCT	Prospect L7S-70M2JCT	OTHER
NAF5M16	1	MacPherson Road JCT	Kent TS	OTHER
NAF5M16	2	MacPherson Road JCT	Kent TS	OTHER
NAL23M5	1	Crosby S1K JCT	Newboro DS	OTHER
NAL23M6	1	Crosby S1K JCT	Elgin JCT	OTHER

Operation Designation	Section	From	To	Functional Category
NAL82M28	1	Smiths Falls TS	Jasper DS	OTHER
NAR43M21	1	Warden TS	Lumsden JCT	OTHER
NAR43M21	2	Lumsden JCT	Todmorden JCT	OTHER
NAR43M31	1	Warden TS	Lumsden JCT	OTHER
NAR43M32	1	Warden TS	Lumsden JCT	OTHER
NF3M11	1	Toronto Power TS	Drummond Road JCT	OTHER
NW11M10	1	Major Ln Str 16 JCT	MacPherson Road JCT	OTHER
NW11M10	2	Major Ln Str 16 JCT	MacPherson Road JCT	OTHER
O1S	2	O1S STR 119 JCT	O1S STR 105 JCT	OTHER
P13T	1	Porcupine TS	Timmins TS	N
P15C	1	Dobbin TS	Cherrywood TS	N
P15T	1	Porcupine TS	Timmins TS	N
P1P	1	Port Arthur TS #1	Port Arthur JCT	LC
P1P	2	Port Arthur JCT	Port Arthur TS #2	OTHER
P1P	3	Port Arthur JCT	Thunder Bay F.P. JCT	LC
P1P	4	Thunder Bay F.P. JCT	Sup Fine Papers CTS	LC
P1P	5	Thunder Bay F.P. JCT	Sup Fine Papers CTS	LC
P1T	1	Port Arthur TS #1	TBPI Thunder Bay JCT	OTHER
P1T	2	TBPI Thunder Bay JCT	TBPI Thunder Bay CTS	OTHER
P1T	3	TBPI Thunder Bay JCT	TBPI Thunder Bay JCT	OTHER
P1T	4	TBPI Thunder Bay JCT	TBPI Thunder Bay CTS	OTHER
P21G	1	Mississagi TS	P21G POLE 6 JCT	N
P21R	1	Parkway TS	Markham #1 JCT	DFL
P21R	2	Markham #1 JCT	IBM Markham JCT	DFL
P21R	3	IBM Markham JCT	Leaside JCT	DFL
P21R	4	Leaside JCT	Leslie East JCT	DFL
P21R	5	Leslie East JCT	Leslie West JCT	DFL
P21R	6	Leslie West JCT	Finch JCT	DFL
P21R	7	Finch JCT	Richview TS	DFL
P21R	8	Markham #1 JCT	Markham MTS #1	TDF
P21R	9	IBM Markham JCT	IBM Markham CTS	TDF
P21R	10	Leslie East JCT	Leslie TS	TDF
P21R	11	Leslie West JCT	Leslie TS	TDF
P21R	12	Finch JCT	Finch TS	TDF
P22R	1	Parkway TS	Markham #1 JCT	DFL
P22R	2	Markham #1 JCT	IBM Markham JCT	DFL
P22R	3	IBM Markham JCT	Leaside JCT	DFL
P22R	4	Leaside JCT	Bathurst JCT	DFL
P22R	5	Bathurst JCT	Finch JCT	DFL
P22R	6	Finch JCT	Richview TS	DFL
P22R	7	Markham #1 JCT	Markham MTS #1	TDF

Operation Designation	Section	From	To	Functional Category
P22R	8	Bathurst JCT	Bathurst TS	TDF
P22R	9	Finch JCT	Finch TS	TDF
P22R	10	IBM Markham JCT	IBM Markham CTS	TDF
P25W	1	Mississagi TS	Aubrey Falls JCT	DFL
P25W	2	Aubrey Falls JCT	Wawa TS	DFL
P25W	3	Aubrey Falls JCT	Aubrey Falls CGS	TDF
P26W	1	Mississagi TS	Aubrey Falls JCT	DFL
P26W	2	Aubrey Falls JCT	Wawa TS	DFL
P26W	3	Aubrey Falls JCT	Aubrey Falls CGS	TDF
P27C	1	Pickering B SS	Cherrywood TS	LC
P2O	1	P2O STR 110 JCT	P2O STR 24A JCT	OTHER
P30C	1	Pickering B SS	Cherrywood TS	LC
P31C	1	Pickering B SS	Cherrywood TS	LC
P32C	1	Pickering B SS	Cherrywood TS	LC
P33C	2	IPB Ottawa River JCT	Chats Falls SS	N
P3B	1	Port Arthur TS #1	Birch TS	N
P3S	1	Dobbin TS	Dale JCT	DFL
P3S	3	Dale JCT	Sidney TS	DFL
P3S	6	Dale JCT	Port Hope TS	TDF
P45	1	Parkway TS	Markham #4 JCT	LC
P45	2	Markham #4 JCT	Buttonville TS	LC
P45	3	Markham #4 JCT	Markham MTS #4	LC
P46	1	Parkway TS	Markham #4 JCT	LC
P46	2	Markham #4 JCT	Buttonville TS	LC
P46	3	Markham #4 JCT	Markham MTS #4	LC
P4S	1	Dobbin TS	Dobbin DS	DFL
P4S	2	Dale JCT	Vernonville JCT	DFL
P4S	3	Vernonville JCT	Hilton JCT	DFL
P4S	4	Hilton JCT	Sidney TS	DFL
P4S	5	Dale JCT	Port Hope TS	TDF
P4S	6	Vernonville JCT	TCPL Cobourg CTS	TDF
P4S	7	Hilton JCT	Enbridge PL Hilt CTS	TDF
P4S	9	Dobbin DS	Dale JCT	DFL
P4S	10	Dobbin DS	Dobbin DS	TDF
P502X	1	Porcupine TS	Hanmer TS	N
P5M	1	Port Arthur TS #1	Conmee JCT	LC
P5M	4	P5M STR 603 JCT	P5M STR 608 JCT	OTHER
P5M	6	P5M STR 621 JCT	P5M STR 626 JCT	OTHER
P6C	1	Pickering A SS	Cherrywood TS	LC
P7B	1	Port Arthur TS #1	Birch TS	N
P7C	1	Pickering A SS	Cherrywood TS	LC

Operation Designation	Section	From	To	Functional Category
P7G	1	Porcupine TS	Dome Site JCT	LC
P7G	2	Dome Site JCT	Gold Centre JCT	LC
P7G	3	Ecstall JCT	Kidd Contractor CTS	OTHER
P7G	4	Ecstall JCT	Kidd Creek Mine JCT	OTHER
P7G	5	Kidd Creek Mine JCT	Kidd Zinc Refin CTS	OTHER
P7G	6	Kidd Creek Mine JCT	Kidd Metsite CTS	OTHER
P7G	8	Hoyle JCT	Hoyle Pond Site JCT	LC
P7G	9	Hoyle JCT	Hoyle DS	LC
P7G	10	Pamour JCT	Hoyle JCT	LC
P7G	11	Pamour JCT	Royal Oak CTS	OTHER
P7G	12	Hoyle Pond Site JCT	Ecstall JCT	OTHER
P7G	14	Gold Centre JCT	Pamour JCT	LC
P7G	15	Gold Centre JCT	Echo B. Aquarius JCT	OTHER
P8C	1	Pickering A SS	Cherrywood TS	LC
P91G	1	Porcupine TS	Erg Resources JCT	DFL
P91G	2	Erg Resources JCT	Kidd Creek Mine JCT	DFL
P91G	3	Erg Resources JCT	Erg Resources CTS	OTHER
P91G	4	Kidd Creek Mine JCT	Kidd Metsite CTS	TDF
P91G	5	Kidd Creek Mine JCT	Ansonville JCT	DFL
P91G	6	Ansonville JCT	Ansonville TS	DFL
P9C	1	Pickering A SS	Cherrywood TS	LC
PA27	1	Beck #2 TS	Mid R. JCT Niagara	N
PA301	1	Beck #2 TS	Beck #2 TS	N
PA301	2	Beck #2 TS	Mid R JCT Niagra 345	N
PA302	1	Beck #2 TS	Beck #2 TS	N
PA302	2	Beck #2 TS	Mid R JCT Niagra 345	N
PS4	1	Lambton TS #2	Lambton TS #2	OTHER
PS51	1	Lambton TS #2	Lambton TS #2	OTHER
Q10M	3	McKinnon's JCT	G.M.St Cath CTS	OTHER
Q10P	1	Abit Cons NAN91 JCT	Abit Cons NAN91 JCT	LC
Q10P	2	Abit Cons NAN91 JCT	Abit Cons NAN91 JCT	OTHER
Q10P	3	Abit Cons NAN91 JCT	Q10P STR 9 JCT	LC
Q11S	1	Beck #1 SS	Warner Road JCT	LC
Q11S	2	Warner Road JCT	McKinnon's JCT	LC
Q11S	3	McKinnon's JCT	Glendale JCT	LC
Q11S	4	Glendale JCT	Glendale TS	LC
Q11S	5	Warner Road JCT	N.O.T.L. MTS #2	LC
Q11S	6	Glendale JCT	Bunting TS	LC
Q12S	1	Beck #1 SS	NOTL York MTS #1 JCT	LC
Q12S	2	Glendale JCT	Glendale TS	LC
Q12S	3	Glendale JCT	Bunting TS	LC

Operation Designation	Section	From	To	Functional Category
Q12S	4	NOTL York MTS #1 JCT	Glendale JCT	LC
Q12S	5	NOTL York MTS #1 JCT	N.O.T.L. York MTS #1	LC
Q1N	1	Beck #1 SS	Niagara TS	OTHER
Q21P	1	Beck #2 TS	Beck Pump Storage GS	LC
Q22P	1	Beck #2 TS	Beck Pump Storage GS	LC
Q23BM	1	Beck #2 TS	Niagara West JCT	DFL
Q23BM	3	Hannon JCT	Neale JCT	DFL
Q23BM	4	Neale JCT	Southcote JCT	DFL
Q23BM	5	Southcote JCT	Mount Hope JCT	DFL
Q23BM	6	Mount Hope JCT	Carluke JCT	DFL
Q23BM	7	Carluke JCT	Middleport TS	DFL
Q23BM	8	Neale JCT	Burlington TS	DFL
Q23BM	9	Burlington TS	Burlington TS	DFL
Q23BM	10	Burlington TS	Burlington TS	TDF
Q23BM	11	Niagara West JCT	Hannon JCT	DFL
Q23BM	12	Niagara West JCT	Niagara West MTS	TDF
Q24HM	1	Beck #2 TS	Hannon JCT	DFL
Q24HM	3	Hannon JCT	Nebo JCT	DFL
Q24HM	4	Neale JCT	Southcote JCT	DFL
Q24HM	5	Southcote JCT	Trinity JCT	DFL
Q24HM	6	Trinity JCT	Carluke JCT	DFL
Q24HM	7	Carluke JCT	Middleport TS	DFL
Q24HM	8	Hannon JCT	Beach TS	DFL
Q24HM	9	Nebo JCT	Neale JCT	DFL
Q24HM	10	Beach TS	Dof.Kenilworth CTS	LC
Q24HM	11	Nebo JCT	Nebo TS	TDF
Q25BM	1	Beck #2 TS	Niagara West JCT	DFL
Q25BM	3	Hannon JCT	Neale JCT	DFL
Q25BM	4	Neale JCT	Southcote JCT	DFL
Q25BM	5	Southcote JCT	Mount Hope JCT	DFL
Q25BM	6	Mount Hope JCT	Carluke JCT	DFL
Q25BM	7	Carluke JCT	Middleport TS	DFL
Q25BM	8	Neale JCT	Burlington TS	DFL
Q25BM	9	Burlington TS	Burlington TS	DFL
Q25BM	10	Burlington TS	Burlington TS	TDF
Q25BM	11	Niagara West JCT	Hannon JCT	DFL
Q25BM	12	Niagara West JCT	Niagara West MTS	TDF
Q26M	1	Beck #2 TS	Abit Cons NAN91 JCT	DFL
Q26M	2	Abit Cons NAN91 JCT	Crossline JCT	DFL
Q26M	3	Crossline JCT	Allanburg TS	TDF
Q26M	4	Allanburg West JCT	Middleport TS	DFL

Operation Designation	Section	From	To	Functional Category
Q26M	5	Abit Cons NAN91 JCT	Abit Cons NAN91 JCT	OTHER
Q26M	6	Crossline JCT	Allanburg West JCT	DFL
Q28A	1	Beck #2 TS	Abit Cons NAN91 JCT	LC
Q28A	2	Abit Cons NAN91 JCT	Allanburg TS	LC
Q28A	3	Abit Cons NAN91 JCT	Abit Cons NAN91 JCT	LC
Q29HM	1	Beck #2 TS	Hannon JCT	DFL
Q29HM	3	Hannon JCT	Nebo JCT	DFL
Q29HM	4	Neale JCT	Southcote JCT	DFL
Q29HM	5	Southcote JCT	Carluke JCT	DFL
Q29HM	6	Carluke JCT	Middleport TS	DFL
Q29HM	7	Hannon JCT	Beach TS	DFL
Q29HM	8	Nebo JCT	Neale JCT	DFL
Q29HM	9	Beach TS	Dof.Kenilworth CTS	LC
Q29HM	10	Nebo JCT	Nebo TS	TDF
Q2A	1	Beck #1 Q2AH JCT	Crossline JCT	OTHER
Q2A	8	St.Anns JCT	Dunnville TS	LC
Q2AH	1	Beck #1 Q2AH JCT	Holland Road JCT	LC
Q2AH	2	Holland Road JCT	Allanburg TS	LC
Q2AH	3	Holland Road JCT	St.Johns Valley JCT	LC
Q2AH	4	St.Johns Valley JCT	Pelham JCT	LC
Q2AH	8	Pelham JCT	Rosedene JCT	LC
Q2AH	9	Rosedene JCT	St.Anns JCT	LC
Q2AH	11	St.Anns JCT	Caistor JCT	OTHER
Q2AH	12	Caistor JCT	IPPL Smithville CTS	OTHER
Q2AH	13	Caistor JCT	Railway JCT	OTHER
Q2AH	14	Railway JCT	Glanford JCT	OTHER
Q2AH	15	St.Johns Valley JCT	Louth JCT	LC
Q2AH	16	Louth JCT	Cherry JCT	LC
Q2AH	17	Cherry JCT	Beamsville TS	LC
Q2AH	18	Beamsville TS	Winona JCT	OTHER
Q2AH	19	Saltfleet JCT	Beach TS	LC
Q2AH	20	Cherry JCT	Vineland DS	LC
Q2AH	21	St.Anns JCT	St.Anns JCT	LC
Q2AH	22	Winona JCT	Saltfleet JCT	LC
Q2AH	23	Winona JCT	Winona TS	LC
Q2AH	24	Winona JCT	Winona TS	LC
Q2AH	25	Beck #1 SS	Beck #1 Q2AH JCT	OTHER
Q2AH	26	Beck #1 SS	Beck #1 Q2AH JCT	LC
Q2AH	27	St.Anns JCT	St.Anns JCT	OTHER
Q30M	1	Beck #2 TS	Allanburg Q30M JCT	DFL
Q30M	3	Allanburg Q30M JCT	Mount Hope JCT	DFL

Operation Designation	Section	From	To	Functional Category
Q30M	4	Mount Hope JCT	Carluke JCT	DFL
Q30M	5	Carluke JCT	Middleport TS	DFL
Q30M	6	Allanburg Q30M JCT	Allanburg TS	TDF
Q35M	1	Beck #2 TS	Abit Cons NAN91 JCT	DFL
Q35M	2	Abit Cons NAN91 JCT	Crossline JCT	DFL
Q35M	3	Crossline JCT	Allanburg TS	TDF
Q35M	4	Allanburg West JCT	St.Anns JCT	DFL
Q35M	5	St.Anns JCT	Caledonia Q35M JCT	DFL
Q35M	6	Caledonia Q35M JCT	Middleport TS	DFL
Q35M	7	Crossline JCT	Allanburg West JCT	DFL
Q35M	8	St.Anns JCT	St.Anns JCT	OTHER
Q35M	9	Caledonia Q35M JCT	Caledonia Q35M JCT	OTHER
Q3K	1	Cataraqui TS	Westbrook JCT	LC
Q3K	2	Westbrook JCT	Frontenac TS	LC
Q3L	1	Beck #1 SS	Portal JCT	LC
Q3L	2	Portal JCT	Stanley TS	LC
Q3L	3	Portal JCT	Trei-bacher CTS	OTHER
Q3M6	1	Frontenac TS	Novelis CTS	LC
Q3NC	1	Canal JCT	Portal JCT	OTHER
Q4B	1	Thunder Bay SS	Abitibi JCT	LC
Q4B	2	Abitibi JCT	James Street JCT	LC
Q4B	3	James Street JCT	St.Paul JCT	LC
Q4B	4	St.Paul JCT	Walsh Street JCT	LC
Q4B	5	Walsh Street JCT	Birch TS	LC
Q4B	6	James Street JCT	AbibowThundr Bay CTS	LC
Q4B	7	St.Paul JCT	Abibow Kraft CTS	OTHER
Q4B	8	Walsh Street JCT	Fort William TS	LC
Q4C	2	IPB Ottawa River JCT	Chats Falls SS	N
Q4N	1	Beck #1 SS	Stanley TS	LC
Q4N	2	Stanley TS	Portal JCT	LC
Q4N	3	Portal JCT	Dresser JCT	LC
Q4N	4	Dresser JCT	Niagara JCT	LC
Q4N	6	Dresser JCT	Trei-bacher CTS	OTHER
Q4N	8	Niagara JCT	Murray TS	LC
Q4N	9	Niagara JCT	Murray TS	LC
Q5B	1	Thunder Bay SS	Abitibi JCT	LC
Q5B	2	Abitibi JCT	James Street JCT	LC
Q5B	3	James Street JCT	St.Paul JCT	LC
Q5B	4	St.Paul JCT	Walsh Street JCT	LC
Q5B	5	Walsh Street JCT	Birch TS	LC
Q5B	6	Abitibi JCT	Erco JCT	OTHER

Operation Designation	Section	From	To	Functional Category
Q5B	7	Erco JCT	Abit Ft William CTS	OTHER
Q5B	8	James Street JCT	AbibowThundr Bay CTS	LC
Q5B	9	St.Paul JCT	Abibow Kraft CTS	LC
Q5B	10	Walsh Street JCT	Fort William TS	LC
Q5G	1	Beck #1 SS	Holland Road JCT	OTHER
Q5G	2	Holland Road JCT	Beamsville TS	OTHER
Q5G	3	Beamsville TS	Beach JCT	OTHER
Q5G	4	Beach JCT	Gage TS	OTHER
Q6A	1	Beck #1 SS	Crossline JCT	OTHER
Q6N	1	Selby JCT	Napanee TS	OTHER
Q6S	1	Cataraqui TS	Westbrook JCT	DFL
Q6S	2	Westbrook JCT	Odessa JCT	DFL
Q6S	3	Odessa JCT	Selby JCT	DFL
Q6S	4	Selby JCT	Milltown JCT	DFL
Q6S	5	Milltown JCT	Sidney TS	DFL
Q6S	6	Odessa JCT	Invista JCT	TDF
Q6S	7	Invista JCT	Invista Canada CTS	OTHER
Q6S	9	Milltown JCT	TCPL Belleville CTS	TDF
Q8B	1	Thunder Bay SS	Birch TS	LC
Q9B	1	Thunder Bay SS	Birch TS	LC
R13K	1	Richview TS	Manby TS	LC
R14T	1	Richview TS	Tomken JCT	DFL
R14T	2	Tomken JCT	Erindale JCT	DFL
R14T	3	Erindale JCT	Trafalgar TS	DFL
R14T	5	Erindale JCT	Erindale TS	TDF
R14T	6	Tomken JCT	Tomken TS	TDF
R15K	1	Richview TS	Manby TS	LC
R15K	2	Manby TS	Vansco JCT	LC
R15K	3	Vansco JCT	Horner TS	LC
R15K	4	Manby TS	Manby TS	LC
R17T	1	Richview TS	Tomken JCT	DFL
R17T	2	Tomken JCT	Erindale JCT	DFL
R17T	3	Erindale JCT	Trafalgar TS	DFL
R17T	5	Erindale JCT	Erindale TS	TDF
R17T	6	Tomken JCT	Tomken TS	TDF
R19TH	1	Richview TS	Tomken JCT	DFL
R19TH	2	Tomken JCT	Hanlan JCT	DFL
R19TH	3	Hanlan JCT	Erindale JCT	DFL
R19TH	4	Erindale JCT	Churchill MeadowsJCT	DFL
R19TH	5	Hanlan JCT	Hurontario SS	DFL
R19TH	6	Erindale JCT	Erindale TS	TDF

Operation Designation	Section	From	To	Functional Category
R19TH	7	Tomken JCT	Tomken TS	TDF
R19TH	8	Hurontario SS	Hurontario SS	DFL
R19TH	9	Hurontario SS	Jim Yarrow MTS	TDF
R19TH	10	Churchill MeadowsJCT	Trafalgar TS	DFL
R1K	1	Richview TS	Manby TS	LC
R1LB	1	Pine Portage SS	Lakehead TS	N
R1LB	2	Lakehead TS	Birch TS	N
R1LB	3	Lakehead TS	Lakehead TS	N
R21D	1	Otter Rapids SS	Pinard JCT	LC
R21D	2	Pinard JCT	Pinard TS	LC
R21D	3	Pinard JCT	Abitibi Canyon GS	LC
R21D	4	Otter Rapids GS	Otter Rapids SS	LC
R21TH	1	Richview TS	Tomken JCT	DFL
R21TH	2	Tomken JCT	Hanlan JCT	DFL
R21TH	3	Hanlan JCT	Erindale JCT	DFL
R21TH	4	Erindale JCT	Churchill MeadowsJCT	DFL
R21TH	5	Hanlan JCT	Hurontario SS	DFL
R21TH	6	Erindale JCT	Erindale TS	TDF
R21TH	7	Tomken JCT	Tomken TS	TDF
R21TH	8	Hurontario SS	Hurontario SS	DFL
R21TH	9	Hurontario SS	Jim Yarrow MTS	TDF
R21TH	10	Churchill MeadowsJCT	Trafalgar TS	DFL
R21TH	11	Churchill MeadowsJCT	Churchill Meadows TS	TDF
R24C	1	Richview TS	Applewood JCT	LC
R24C	2	Applewood JCT	Cooksville TS	LC
R2K	1	Richview TS	Manby TS	LC
R2K	2	Manby TS	Vansco JCT	LC
R2K	3	Vansco JCT	Horner TS	LC
R2K	4	Manby TS	Manby TS	LC
R2LB	1	Pine Portage SS	Lakehead TS	N
R2LB	2	Lakehead TS	Birch TS	N
R2LB	3	Lakehead TS	Lakehead TS	N
R9A	1	Pine Portage SS	Alexander SS	DFL
R9A	2	Alexander SS	Alexander GS	TDF
R9A	3	Alexander SS	Alexander SS	DFL
S1C	1	Conmee JCT	Lac Des Iles JCT	LC
S1C	2	Lac Des Iles JCT	Silver Falls GS	LC
S1H	1	Owen Sound TS	Hanover TS	N
S1K	4	Battersea DS	Frontenac TS	LC
S1R	1	Martindale TS	Copper Cliff JCT	OTHER
S21N	1	Martindale TS	Vale Frd Stbe #2 JCT	LC

Operation Designation	Section	From	To	Functional Category
S21N	2	Vale Frd Stbe #2 JCT	Vale Copper #4 CTS	LC
S21N	3	Vale Frd Stbe #2 JCT	Vale Frd Stbe #2 CTS	OTHER
S22A	1	Martindale TS	Clarabelle JCT	DFL
S22A	2	Clarabelle JCT	Algoma TS	DFL
S22A	3	Clarabelle JCT	Clarabelle TS	TDF
S25L	2	Saunders JCT	St.Lawrence TS	LC
S26L	2	Saunders JCT	St.Lawrence TS	LC
S2B	1	Martindale TS	Copper Cliff JCT	LC
S2B	2	Copper Cliff JCT	Creighton JCT	LC
S2B	3	Creighton JCT	Vermillion JCT	LC
S2B	4	Vermillion JCT	Ethel Lake JCT	LC
S2B	5	Ethel Lake JCT	Turbine JCT	LC
S2B	7	Turbine JCT	Eacom Nairn Ctr JCT	LC
S2B	8	Eacom Nairn Ctr JCT	Espanola JCT	LC
S2B	9	Espanola JCT	Eddy Tap JCT	LC
S2B	10	Espanola A JCT	Espanola TS	OTHER
S2B	11	Espanola TS	Baldwin JCT	LC
S2B	12	Baldwin JCT	Massey JCT	LC
S2B	13	Massey JCT	Cameron Falls JCT	LC
S2B	14	Cutler JCT	Serpent River JCT	LC
S2B	15	Vermillion JCT	Lockerby Mine CTS	LC
S2B	16	Ethel Lake JCT	Whitefish DS	LC
S2B	19	Espanola A JCT	Manitoulin TS	LC
S2B	20	Massey JCT	Massey DS	LC
S2B	22	Espanola TS	Eddy Tap A JCT	LC
S2B	23	Eacom Nairn Ctr JCT	Eacom Nairn Ctr CTS	LC
S2B	24	Spanish JCT	Cutler JCT	LC
S2B	25	Serpent River JCT	Carmeuse Lime JCT	LC
S2B	27	Carmeuse Lime JCT	Blind River TS JCT	LC
S2B	30	Cameron Falls JCT	Spanish JCT	LC
S2B	32	Espanola JCT	Baldwin JCT	OTHER
S2B	33	Blind River TS JCT	Algoma TS	LC
S2B	35	Eddy Tap JCT	Espanola A JCT	LC
S2B	36	Eddy Tap A JCT	Domtar Espanola CGS	LC
S2B	37	Eddy Tap JCT	Eddy Tap A JCT	OTHER
S2B	38	Creighton JCT	Nickel Basin JCT	OTHER
S2B	39	Spanish JCT	Spanish DS	LC
S2N	1	Strathroy TS	Sydenham JCT	LC
S2N	2	Sydenham JCT	Adelaide JCT	LC
S2N	3	Adelaide JCT	Kerwood JCT	OTHER
S2N	4	Kerwood JCT	Ennisbrook JCT	LC

Operation Designation	Section	From	To	Functional Category
S2N	5	Ennisbrook JCT	Wanstead JCT	LC
S2N	6	Wanstead JCT	Sarnia Scott TS	LC
S2N	7	Adelaide JCT	Enbrg Keyser CTS	LC
S2N	8	Kerwood JCT	Sun Cdn Pipeline CTS	LC
S2N	9	Ennisbrook JCT	Forest Jura DS	LC
S2N	10	Wanstead JCT	Wanstead TS	LC
S2N	11	Wanstead TS	Wanstead JCT	LC
S2N	12	Wanstead TS	Wanstead JCT	LC
S2S	1	Owen Sound TS	Meaford TS	DFL
S2S	2	Meaford TS	Stayner TS	DFL
S30L	2	Saunders JCT	St.Lawrence TS	LC
S32L	2	Saunders JCT	St.Lawrence TS	LC
S3S	1	Smoky Falls SS	KAP LMRP JCT	LC
S3S	2	Kapuskasing R Jct	Tembec Kapuskas CTS	LC
S3S	3	KAP LMRP JCT	Kapuskasing R Jct	LC
S3S	5	KAP LMRP JCT	KAP LMRP CTS	LC
S47C	1	Spence SS	Chatham SS	N
S4S	1	Smoky Falls SS	Kapuskasing R Jct	LC
S4S	2	Kapuskasing R Jct	Tembec Kapuskas CTS	LC
S5M	1	Martindale TS	Donaldson Cres JCT	LC
S5M	2	McCrea JCT	Onaping JCT	LC
S5M	3	Onaping JCT	Onaping Area M&M CTS	LC
S5M	4	McCrea JCT	Thayer Lindsley CTS	LC
S5M	5	Onaping JCT	Nickel Basin JCT	LC
S5M	6	Nickel Basin JCT	Larchwood TS	LC
S5M	7	Donaldson Cres JCT	McCrea JCT	LC
S6F	1	Martindale TS	Falconbridge JCT	LC
S6F	2	Falconbridge JCT	Falconbridge 61 JCT	LC
S6N	1	Selby JCT	Napanee TS	OTHER
S7M	1	South March SS	Marchwood JCT	DFL
S7M	2	Marchwood JCT	Bridlewood JCT	DFL
S7M	3	Bridlewood JCT	X523A STR 654 JCT	DFL
S7M	4	X523A STR 654 JCT	S7M STR 673N JCT	DFL
S7M	5	S7M STR 673N JCT	Merivale TS	DFL
S7M	6	Marchwood JCT	Marchwood MTS	LC
S7M	7	Bridlewood JCT	Bridlewood MTS	TDF
S7M	8	S7M STR 673N JCT	S7M STR R14-R15 JCT	TDF
S7M	9	S7M STR R14-R15 JCT	Fallowfield JCT	LC
S7M	10	Fallowfield JCT	Manotick JCT	LC
S7M	11	Manotick JCT	Richmond MTS	LC
S7M	12	Manotick JCT	Manotick STR A40 JCT	LC

Filed: May 28, 2012

EB-2012-0031

Exhibit G2

Tab 1

Schedule 1

Page 50 of 58

Operation Designation	Section	From	To	Functional Category
S7M	13	Manotick STR A40 JCT	Manotick DS	LC
S7M	14	Manotick STR A40 JCT	Manotick DS	LC
S7M	15	Fallowfield JCT	Fallowfield MTS	LC
S7M	16	S7M STR R14-R15 JCT	Manordale JCT	OTHER
S7M	17	X523A STR 654 JCT	Didsbury Road JCT	OTHER
S7M	18	Marchwood JCT	Marchwood JCT	TDF
S7S	2	Dominion Drive DS	Gervais JCT	OTHER
SK1	1	Rabbit Lake SS	Forgie JCT	LC
SK1	2	Forgie JCT	IPB Manitoba 115 JCT	N
SK1	4	Forgie JCT	Clearwater Bay DS	LC
T11T	1	St.Thomas TS	Lyons JCT	OTHER
T11T	2	Lyons JCT	Cranberry JCT	OTHER
T11T	7	Lyons JCT	Lyons JCT	OTHER
T1B	1	Rayner CGS	Wharnccliffe JCT	LC
T1B	2	Sowerby JCT	Red Rock CGS	LC
T1B	3	Red Rock CGS	Cobden JCT	LC
T1B	4	Cobden JCT	Striker DS	LC
T1B	5	Striker DS	Algoma TS	LC
T1B	6	Sowerby JCT	Sowerby DS	LC
T1B	7	Cobden JCT	North Shore DS	LC
T1B	8	Wharnccliffe JCT	Sowerby JCT	LC
T1B	9	Wharnccliffe JCT	Wharnccliffe DS	LC
T1M	1	Terrace Bay SS	Angler Switch JCT	DFL
T1M	2	Angler Switch JCT	Pic JCT	DFL
T1M	3	Pic JCT	Marathon TS	DFL
T1M	4	Pic JCT	Marathon DS JCT	TDF
T1M	5	Marathon DS JCT	Marathon DS	LC
T27P	1	Wells CGS	Mississagi TS	LC
T27P	2	Mississagi TS	Mississagi TS	LC
T28P	1	Wells CGS	Mississagi TS	LC
T2N	2	Toronto Power TS	Drummond Road JCT	OTHER
T2R	1	Timmins TS	Wawaitin JCT	OTHER
T2R	2	Wawaitin JCT	Shiningtree JCT	OTHER
T2R	3	Shiningtree JCT	Blezard Valley JCT	OTHER
T2R	4	Shiningtree JCT	Blezard Valley JCT	OTHER
T2R	5	Blezard Valley JCT	Copper Cliff JCT	OTHER
T2R	6	Blezard Valley JCT	Copper Cliff JCT	OTHER
T2R	10	Blezard Valley JCT	Falconbridge T2R CTS	OTHER
T2R	11	Wawaitin JCT	Wawaitin GS	OTHER
T36B	1	Trafalgar TS	Lantz JCT	DFL
T36B	2	Palermo TxB JCT	Burlington TS	DFL

Operation Designation	Section	From	To	Functional Category
T36B	3	Palermo TxB JCT	Palermo TS	TDF
T36B	4	Lantz JCT	Glenorchy JCT	DFL
T36B	5	Lantz JCT	Trafalgar TS	OTHER
T36B	6	Glenorchy JCT	Palermo TxB JCT	DFL
T36B	7	Glenorchy JCT	Glenorchy MTS #1	TDF
T37B	1	Trafalgar TS	Lantz JCT	DFL
T37B	2	Palermo TxB JCT	Burlington TS	DFL
T37B	3	Palermo TxB JCT	Palermo TS	TDF
T37B	4	Lantz JCT	Glenorchy JCT	DFL
T37B	5	Lantz JCT	Trafalgar TS	N
T37B	6	Glenorchy JCT	Palermo TxB JCT	DFL
T37B	7	Glenorchy JCT	Glenorchy MTS #1	TDF
T38B	1	Trafalgar TS	Lantz JCT	DFL
T38B	2	Lantz JCT	Burlington TS	DFL
T38B	3	Lantz JCT	Trafalgar DESN JCT	TDF
T38B	4	Hornby JCT	TCE Halton Hills JCT	LC
T38B	5	Hornby JCT	Meadowvale TS	LC
T38B	6	Trafalgar DESN JCT	Hornby JCT	LC
T38B	7	Trafalgar DESN JCT	Trafalgar TS	LC
T38B	8	TCE Halton Hills JCT	Halton TS	LC
T38B	9	TCE Halton Hills JCT	TCE Halton Hills JCT	LC
T39B	1	Trafalgar TS	Lantz JCT	DFL
T39B	2	Lantz JCT	Burlington TS	DFL
T39B	3	Lantz JCT	Trafalgar DESN JCT	TDF
T39B	4	Hornby JCT	TCE Halton Hills JCT	LC
T39B	5	Hornby JCT	Meadowvale TS	LC
T39B	6	Trafalgar DESN JCT	Hornby JCT	LC
T39B	7	Trafalgar DESN JCT	Trafalgar TS	LC
T39B	8	TCE Halton Hills JCT	Halton TS	LC
T39B	9	TCE Halton Hills JCT	TCE Halton Hills JCT	LC
T61S	1	Timmins JCT	Shiningtree DS	LC
T61S	2	Timmins JCT	Ogden JCT	LC
T61S	3	Ogden JCT	Timmins WestMine JCT	LC
T61S	4	Ogden JCT	Kam Kotia DS	OTHER
T61S	5	Timmins TS	Timmins JCT	LC
T61S	6	Timmins WestMine JCT	Weston Lake DS	LC
T61S	7	Timmins WestMine JCT	Timmins WestMine CTS	LC
T7M	1	Otter Rapids SS	Onakawana JCT	LC
T7M	2	Onakawana JCT	Renison JCT	LC
T7M	3	Renison JCT	Moosonee SS	LC
T7M	4	Onakawana JCT	Onakawana CTS	LC

Operation Designation	Section	From	To	Functional Category
T7M	5	Renison JCT	Renison CTS	LC
T9K	1	St.Thomas TS	Kent JCT	OTHER
T9K	2	Kent JCT	Kent TS	OTHER
UB3B	1	H2O Pwr FtFrnces CTS	Int'l Bdy Minn JCT	OTHER
V12M	1	Merivale TS	Val Tetreau JCT	LC
V12M	3	Val Tetreau JCT	Hinchey TS	LC
V41H	1	Claireville TS	Claireville JCT	DFL
V41H	2	Claireville JCT	Sithe Goreway JCT	DFL
V41H	3	Sithe Goreway JCT	Bramalea TS	DFL
V41H	4	Bramalea TS	Cardiff JCT	DFL
V41H	5	Cardiff JCT	Hurontario SS	DFL
V41H	6	Sithe Goreway JCT	Sithe Goreway JCT	TDF
V41H	8	Cardiff JCT	Cardiff TS	TDF
V41N	1	Nova SS	St.Clair E.C. JCT	DFL
V41N	2	Nova SS	Nova Corunna CTS	TDF
V41N	3	St.Clair E.C. JCT	Sarnia Scott TS	DFL
V41N	4	St.Clair E.C. JCT	St.Clair E.C. CGS	TDF
V41N	5	Nova SS	Nova SS	DFL
V42H	1	Claireville TS	Claireville TS	DFL
V42H	2	Claireville TS	Claireville JCT	DFL
V42H	3	Claireville JCT	Sithe Goreway JCT	DFL
V42H	4	Sithe Goreway JCT	Bramalea TS	DFL
V42H	5	Bramalea TS	Cardiff JCT	DFL
V42H	6	Cardiff JCT	Hurontario SS	DFL
V42H	7	Sithe Goreway JCT	Sithe Goreway JCT	TDF
V42H	9	Cardiff JCT	Cardiff TS	TDF
V42H	10	Claireville TS	Goreway JCT	TDF
V42H	11	Goreway JCT	Goreway PH JCT	LC
V42H	12	Goreway PH JCT	Goreway TS	LC
V43	1	Claireville TS	Claireville TS	LC
V43	2	Claireville TS	Goreway JCT	LC
V43	3	Goreway JCT	Goreway PH JCT	LC
V43	4	Goreway PH JCT	Goreway TS	LC
V43	5	Claireville TS	Woodbridge JCT	LC
V43	6	Woodbridge JCT	Vaughan #3 JCT	LC
V43	7	Vaughan #3 JCT	Kleinburg TS	LC
V43	8	Woodbridge JCT	Woodbridge TS	LC
V43	9	Vaughan #3 JCT	Vaughan MTS #3	LC
V43N	1	Nova SS	Talford JCT	DFL
V43N	2	Talford JCT	St.Clair E.C. JCT	DFL
V43N	3	Talford JCT	Dupont JCT	TDF

Operation Designation	Section	From	To	Functional Category
V43N	4	Dupont JCT	Shell Sarnia CTS	LC
V43N	5	Dupont JCT	Nova St Clair R CTS	LC
V43N	6	St.Clair E.C. JCT	Sarnia Scott TS	DFL
V43N	7	St.Clair E.C. JCT	St.Clair E.C. CGS	TDF
V44	1	Claireville TS	Woodbridge JCT	LC
V44	2	Woodbridge JCT	Vaughan #3 JCT	LC
V44	3	Vaughan #3 JCT	Kleinburg TS	LC
V44	4	Woodbridge JCT	Woodbridge TS	LC
V44	5	Vaughan #3 JCT	Vaughan MTS #3	LC
V586M	1	Claireville TS	Milton SS	N
V586M	2	Milton SS	Middleport TS	N
V586M	3	Milton SS	Milton SS	N
V71P	1	Claireville TS	Toronto Star JCT	DFL
V71P	2	Toronto Star JCT	Vaughan #1 JCT	DFL
V71P	3	Vaughan #1 JCT	Richmond Hill JCT	DFL
V71P	4	Richmond Hill JCT	Richmond Hill #2 JCT	DFL
V71P	5	Richmond Hill #2 JCT	Parkway TS	DFL
V71P	6	Toronto Star JCT	Toronto Star JCT	TDF
V71P	7	Toronto Star JCT	Vaughan MTS #2	LC
V71P	8	Vaughan #1 JCT	Vaughan #1 PH JCT	TDF
V71P	9	Vaughan #1 PH JCT	Vaughan MTS #1	LC
V71P	10	Richmond Hill JCT	Richmond Hill MTS #1	TDF
V71P	11	Richmond Hill #2 JCT	Richmond Hill MTS #2	TDF
V72R	3	Richview TS	Richview TS	TDF
V72R	4	Claireville TS	Richview TS	DFL
V72R	5	Richview TS	Richview TS	DFL
V73R	4	Claireville TS	Richview TS	N
V74R	1	Claireville TS	Westmore JCT	DFL
V74R	2	Westmore JCT	Richview TS	DFL
V74R	3	Westmore JCT	Rexdale TS	LC
V74R	8	Richview TS	Richview TS	DFL
V74R	9	Richview TS	Richview TS	TDF
V74R	12	Westmore JCT	Westmore JCT	TDF
V75P	2	Claireville TS	Toronto Star JCT	DFL
V75P	3	Toronto Star JCT	Vaughan #1 JCT	DFL
V75P	4	Vaughan #1 JCT	Richmond Hill JCT	DFL
V75P	5	Richmond Hill JCT	Richmond Hill #2 JCT	DFL
V75P	6	Richmond Hill #2 JCT	Parkway TS	DFL
V75P	7	Toronto Star JCT	Toronto Star JCT	TDF
V75P	8	Toronto Star JCT	Vaughan MTS #2	LC
V75P	9	Vaughan #1 JCT	Vaughan #1 PH JCT	TDF

Operation Designation	Section	From	To	Functional Category
V75P	10	Vaughan #1 PH JCT	Vaughan MTS #1	LC
V75P	11	Richmond Hill JCT	Richmond Hill MTS #1	TDF
V75P	12	Richmond Hill #2 JCT	Richmond Hill MTS #2	TDF
V76R	1	Claireville TS	Westmore JCT	DFL
V76R	4	Westmore JCT	Richview TS	DFL
V76R	5	Westmore JCT	Rexdale TS	LC
V76R	9	Westmore JCT	Westmore JCT	TDF
V77R	1	Claireville TS	Richview TS	N
V79R	1	Claireville TS	Richview TS	N
W12	1	Buchanan TS	Ingersoll TS	LC
W2	1	Whitedog Falls GS	Whitedog Falls SS	LC
W21M	1	Wawa TS	Marathon TS	N
W22M	1	Wawa TS	Marathon TS	N
W2C	1	Wawa TS	Chapleau JCT	LC
W2C	3	Chapleau JCT	Chapleau DS	LC
W2C	4	Chapleau JCT	Chapleau DS	LC
W2C	5	Chapleau JCT	Chapleau MTS	LC
W2S	1	Buchanan TS	Sydenham JCT	LC
W2S	2	Sydenham JCT	Strathroy TS	LC
W36	1	Buchanan TS	Oxford Street JCT	LC
W36	2	Oxford Street JCT	Clarke TS	LC
W36	3	Oxford Street JCT	Talbot TS	LC
W37	1	Buchanan TS	Dundas Street JCT	LC
W37	2	Dundas Street JCT	Clarke TS	LC
W37	3	Dundas Street JCT	Talbot TS	LC
W3B	1	Barrett Chute JCT	Barrett Chute SS	DFL
W3B	2	Stewartville TS	Barrett Chute JCT	DFL
W3B	3	Barrett Chute JCT	Mountain Chute DS	TDF
W3C	1	Whitedog Falls SS	Caribou Falls GS	LC
W3T	1	Buchanan TS	Kettle Creek JCT	LC
W3T	2	Kettle Creek JCT	St.Thomas TS	LC
W3T	3	Kettle Creek JCT	Ford Talbotville CTS	LC
W42L	1	Buchanan TS	Buchanan TS	DFL
W42L	2	Buchanan TS	Longwood TS	DFL
W42L	3	Buchanan TS	Buchanan TS	TDF
W43L	1	Buchanan TS	Buchanan TS	DFL
W43L	2	Buchanan TS	Longwood TS	DFL
W43L	3	Buchanan TS	Buchanan TS	TDF
W44LC	1	Buchanan TS	Cowal JCT	DFL
W44LC	2	Cowal JCT	Chatham SS	DFL
W44LC	3	Cowal JCT	Longwood TS	DFL

Operation Designation	Section	From	To	Functional Category
W44LC	4	Buchanan TS	Edgeware TS	TDF
W44LC	5	Buchanan TS	Buchanan TS	DFL
W44LC	7	Duart JCT	Duart TS	OTHER
W45LS	1	Buchanan TS	Cowal JCT	DFL
W45LS	2	Cowal JCT	Duart JCT	DFL
W45LS	3	Cowal JCT	Longwood TS	DFL
W45LS	5	Buchanan TS	Buchanan TS	DFL
W45LS	6	Duart JCT	Spence SS	DFL
W45LS	7	Duart JCT	Duart TS	TDF
W4T	1	Buchanan TS	Kettle Creek JCT	LC
W4T	2	Kettle Creek JCT	St.Thomas TS	LC
W4T	3	Kettle Creek JCT	Ford Talbotville CTS	LC
W5N	1	Buchanan TS	Nelson TS	LC
W6CS	1	Stewartville TS	Arnprior JCT	DFL
W6CS	2	Arnprior JCT	Mississippi JCT	DFL
W6CS	3	Mississippi JCT	Chats Falls SS	OTHER
W6CS	4	Mississippi JCT	Marchwood JCT	DFL
W6CS	5	Arnprior JCT	Arnprior TS	TDF
W6CS	6	Marchwood JCT	South March SS	DFL
W6CS	7	Marchwood JCT	Marchwood JCT	OTHER
W6NL	1	Buchanan TS	Buchanan JCT	LC
W6NL	2	Buchanan JCT	Highbury TS	LC
W6NL	3	Buchanan JCT	Nelson TS	LC
W7	1	Buchanan TS	Ingersoll TS	LC
W71D	1	Widdifield SS	Lower Notch JCT	DFL
W71D	2	Lower Notch JCT	Dymond TS	DFL
W71D	3	Widdifield SS	Trout Lake TS	LC
W71D	4	Lower Notch JCT	Lower Notch GS	TDF
W71D	5	Lower Notch JCT	Lower Notch GS	TDF
W8T	1	Buchanan TS	W8T STR A1 JCT	LC
W8T	4	Edgeware JCT	Lyons JCT	LC
W8T	5	Lyons JCT	Cranberry JCT	LC
W8T	9	W8T STR A1 JCT	Edgeware JCT	LC
W8T	10	Lyons JCT	Lyons JCT	LC
W9L	1	Buchanan TS	Highbury TS	LC
WT1A	1	Lyons JCT	Aylmer TS	LC
WT1T	1	Cranberry JCT	ESWF JCT	LC
WT1T	2	Tillsonburg JCT	Tillsonburg TS	LC
WT1T	3	Tillsonburg JCT	Tillsonburg TS	LC
WT1T	4	ESWF JCT	Tillsonburg JCT	LC
WT1T	5	ESWF JCT	ESWF CSS	LC

Operation Designation	Section	From	To	Functional Category
WW1C	1	Ingersoll TS	Lafarge Woodstk. CTS	LC
X1H	1	Lennox TS	Lafarge JCT	DFL
X1H	2	Lafarge JCT	NPIF Kingston JCT	DFL
X1H	3	Cataraqi TS	Hinchinbrooke SS	N
X1H	4	Lafarge JCT	Lafarge Bath CTS	TDF
X1H	6	NPIF Kingston JCT	Cataraqi TS	DFL
X1H	8	NPIF Kingston JCT	NPIF Kingston JCT	TDF
X1P	1	Massanoga JCT	Dobbin TS	LC
X1P	2	Mountain Chute JCT	Massanoga JCT	LC
X1P	3	Chenau TS	Mountain Chute JCT	LC
X1P	4	Mountain Chute JCT	Mountain Chute GS	LC
X1P	5	Massanoga JCT	Mazinaw DS	LC
X21	1	Lennox TS	Gretna JCT	LC
X21	2	Gretna JCT	Napanee TS	LC
X21	3	Gretna JCT	Long Reach East JCT	LC
X21	4	Long Reach East JCT	Long Reach West JCT	LC
X21	5	Long Reach West JCT	Picton TS	LC
X22	1	Lennox TS	Gretna JCT	LC
X22	2	Gretna JCT	Napanee TS	LC
X22	3	Gretna JCT	Long Reach East JCT	LC
X22	4	Long Reach East JCT	Long Reach West JCT	LC
X22	5	Long Reach West JCT	Picton TS	LC
X23N	1	Hanmer TS	Vale Frd Stbe #2 JCT	LC
X23N	2	Vale Frd Stbe #2 JCT	Clarabelle JCT	LC
X23N	3	Clarabelle JCT	Vale Copper #4 CTS	LC
X23N	4	Vale Frd Stbe #2 JCT	Vale Frd Stbe #2 CTS	LC
X23N	5	Clarabelle JCT	Clarabelle TS	LC
X25S	1	Hanmer TS	Hanmer Parllel B JCT	N
X25S	2	Hanmer Parllel B JCT	Martindl Parll B JCT	N
X25S	3	Hanmer Parllel B JCT	Martindl Parll B JCT	N
X25S	4	Martindl Parll B JCT	Martindale TS	N
X26S	1	Hanmer TS	Hanmer Parllel A JCT	N
X26S	2	Hanmer Parllel A JCT	Martindl Parll A JCT	N
X26S	3	Hanmer Parllel A JCT	Martindl Parll A JCT	N
X26S	4	Martindl Parll A JCT	Martindale TS	N
X27A	1	Hanmer TS	Algoma TS	N
X2H	1	Lennox TS	Lafarge JCT	DFL
X2H	2	Lafarge JCT	NPIF Kingston JCT	DFL
X2H	3	Westbrook JCT	Cataraqi TS	DFL
X2H	4	Cataraqi TS	Hinchinbrooke SS	DFL
X2H	5	Lafarge JCT	Lafarge Bath CTS	OTHER

Operation Designation	Section	From	To	Functional Category
X2H	6	Westbrook JCT	Gardiner STR 44 JCT	TDF
X2H	7	NPIF Kingston JCT	Westbrook JCT	DFL
X2H	9	NPIF Kingston JCT	NPIF Kingston JCT	TDF
X2H	10	Gardiner STR 44 JCT	Gardiner TS	LC
X2H	11	Gardiner STR 44 JCT	Gardiner TS	LC
X2Y	1	Chenau TS	Chenau JCT	LC
X2Y	2	Chenau JCT	IPB Bryson JCT	N
X2Y	4	Chenau JCT	Haley Industries JCT	LC
X2Y	5	Haley Industries JCT	Haley JCT	LC
X2Y	6	Haley JCT	Cobden TS	LC
X2Y	7	Haley JCT	Timminco CTS	LC
X2Y	8	Cobden TS	Pembroke TS	LC
X2Y	9	Haley Industries JCT	Haley Industries CTS	LC
X2Y	10	Cobden TS	Cobden TS	LC
X3H	1	Lennox TS	Cataraqui TS	N
X3H	2	Cataraqui TS	Hinchinbrooke SS	N
X4H	1	Lennox TS	Westbrook JCT	DFL
X4H	2	Westbrook JCT	Cataraqui TS	DFL
X4H	3	Cataraqui TS	Hinchinbrooke SS	DFL
X4H	4	Westbrook JCT	Gardiner STR 44 JCT	TDF
X4H	5	Gardiner STR 44 JCT	Gardiner TS	LC
X4H	6	Gardiner STR 44 JCT	Gardiner TS	LC
X503E	1	Hanmer TS	Nobel SS	N
X503E	2	Nobel SS	Essa TS	N
X504E	1	Hanmer TS	Nobel SS	N
X504E	2	Nobel SS	Essa TS	N
X520B	1	Lennox TS	Bowmanville SS	N
X521B	1	Lennox TS	Bowmanville SS	N
X522A	1	Lennox TS	Hawthorne TS	N
X523A	1	Lennox TS	Hawthorne TS	N
X526B	1	Lennox TS	Bowmanville SS	N
X527B	1	Lennox TS	Bowmanville SS	N
X6	1	Chenau TS	Cobden X6 JCT	LC
X6	2	Cobden X6 JCT	Cobden TS	LC
X6	3	Cobden X6 JCT	Pembroke TS	LC
X6	4	Pembroke TS	Pembroke TS	LC
X74P	1	Hanmer TS	Mississagi TS	N
Z1E	1	Lauzon TS	Jefferson JCT	DFL
Z1E	2	Jefferson JCT	Walker JCT	DFL
Z1E	3	Walker JCT	Windsor Transalt JCT	DFL
Z1E	4	Jefferson JCT	Ford Essex JCT	TDF

Filed: May 28, 2012

EB-2012-0031

Exhibit G2

Tab 1

Schedule 1

Page 58 of 58

Operation Designation	Section	From	To	Functional Category
Z1E	5	Walker JCT	Walker TS #1	TDF
Z1E	6	Windsor Transalt JCT	Essex TS	DFL
Z1E	7	Windsor Transalt JCT	Windsor Transalt CGS	TDF
Z7E	1	Lauzon TS	Jefferson JCT	DFL
Z7E	2	Jefferson JCT	Walker JCT	DFL
Z7E	5	Walker JCT	Essex TS	DFL
Z7E	7	Jefferson JCT	Ford Essex JCT	TDF
Z7E	8	Walker JCT	Walker TS #1	TDF

4

1
 2
 3
 4

**LIST OF TRANSMISSION STATIONS
 BY FUNCTIONAL CATEGORY**

N = Network *TC = Transformation Connection*
LC = Line Connection *GC = Generation Station Switchyard*

Station Number	Station Name	Functional Category
1001	Agincourt TS	TC
1002	Applewood JCT	LC
1003	Armitage TS	TC
1004	Balfour JCT	LC
1005	Bartlett JCT	LC
1007	Bayview JCT	LC
1008	Beaverton TS	TC
1010	Bloor Street JCT	LC
1012	Goreway TS	TC
1013	Bramalea TS	TC
1014	Bronte TS	TC
1015	Brown Hill TS	N,TC
1018	Buttonville TS	TC
1019	Cherrywood TS	N,TC
1021	Claireville JCT	LC
1022	Claireville TS	N
1026	Cooksville TS	TC
1027	Dale JCT	N,LC
1028	Dobbin TS	N,TC
1034	Dufferin JCT	LC
1035	Erindale TS	TC
1038	Gerrard JCT	LC
1044	Kleinburg TS	TC
1049	Lorne Park TS	TC
1050	Lumsden JCT	LC
1051	Manby TS	LC,TC
1056	Oakville TS #2	TC
1057	Thornton TS	TC
1058	Wilson TS	TC
1059	Otonabee TS	TC
1062	Palermo TS	TC
1064	Pickering A SS	GC
1065	Pleasant TS	TC
1066	Port Hope TS	TC
1070	Rexdale TS	TC
1071	Westmore JCT	LC

Filed: May 28, 2012

EB-2012-0031

Exhibit G2

Tab 1

Schedule 2

Page 2 of 11

Station Number	Station Name	Functional Category
1073	Richview TS	N,TC
1074	Scarboro TS	TC
1075	Ellesmere TS	TC
1076	Riverside JCT	LC
1077	Birch JCT	LC
1082	Todmorden JCT	LC
1083	Tomken TS	TC
1084	Basin TS	TC
1086	Bathurst TS	TC
1087	Bermondsey TS	TC
1088	Bridgman TS	TC
1089	Carlaw TS	TC
1090	Cecil TS	LC,TC
1091	Charles TS	TC
1094	Dufferin TS	TC
1095	Duplex TS	TC
1096	Esplanade TS	TC
1097	Fairbank TS	TC
1098	Fairchild TS	TC
1099	Finch TS	TC
1100	Gerrard TS	TC
1101	Glengrove TS	TC
1102	Horner TS	TC
1103	John TS	LC,TC
1104	Leaside TS	LC,TC
1105	Leslie TS	TC
1106	Main TS	TC
1107	Malvern TS	TC
1109	Runnymede TS	TC
1110	Sheppard TS	TC
1112	Strachan TS	TC
1113	Terauley TS	TC
1114	Warden TS	TC
1116	Wiltshire TS	TC
1118	Trafalgar TS	N,TC
1119	Vansco JCT	LC
1124	Woodbridge TS	TC
1135	Lindsay TS	TC
1139	Markham #2 PH JCT	LC
1144	Vernonville JCT	N,LC
1146	Hilton JCT	N,LC
1154	Milton SS	N
1157	Pickering B SS	GC

Station Number	Station Name	Functional Category
1169	Whitby TS	TC
1173	Bowmanville SS	N
1174	Markham #3 PH JCT	LC
1184	Halton TS	TC
1186	Meadowvale TS	TC
1193	Toronto Star JCT	LC
1217	Hearn SS	LC
1246	Static Head OPF	LC
1262	Vaughan #1 PH JCT	LC
1265	Goreway PH JCT	LC
1275	Bridgman JCT	LC
1277	Cardiff TS	TC
1278	Parkway TS	N
1283	Waverly OPF	LC
1284	Brookside OPF	LC
1285	Joint Bay 4 OPF	LC
1287	Oshawa G.M. TS	TC
1302	Holland TS	TC
1310	Hurontario SS	N
1317	Churchill Meadows TS	TC
2001	Almonte TS	TC
2003	Barrett Chute SS	N
2005	Arnprior TS	TC
2009	Belleville TS	N,TC
2010	Bilberry Creek TS	TC
2011	Billings JCT	LC
2013	Borromee JCT	LC
2015	Brockville Chem. JCT	LC
2016	Brockville TS	TC
2020	Cataraqui TS	N
2024	Chats Falls SS	N,GC
2026	Chenaux JCT	LC
2027	Chesterville TS	TC
2030	Chenaux TS	LC
2031	Cobden TS	TC
2035	Cyrville JCT	LC
2043	Fitzroy JCT	N,LC
2045	Forest Lea JCT	LC
2048	Frontenac TS	LC,TC
2050	Gamble JCT	LC
2055	Haley JCT	LC
2057	Havelock TS	N,TC
2061	Hinchinbrooke SS	N

Filed: May 28, 2012

EB-2012-0031

Exhibit G2

Tab 1

Schedule 2

Page 4 of 11

Station Number	Station Name	Functional Category
2065	Gardiner TS	TC
2068	Longueuil TS	TC
2069	Lunenburg JCT	LC
2071	Manotick JCT	LC
2074	Merivale TS	N
2076	Milltown JCT	N,LC
2078	Morrisburg JCT	LC
2079	Morrisburg TS	TC
2083	Napanee TS	TC
2091	Odessa JCT	N,LC
2094	Carling TS	TC
2095	N.R.C. TS	TC
2096	Albion TS	TC
2097	Hawthorne TS	N,TC
2098	Hinchey TS	TC
2099	King Edward TS	TC
2100	Lincoln Heights TS	TC
2101	Lisgar TS	TC
2103	Overbrook TS	TC
2104	Riverdale TS	TC
2105	Russell TS	TC
2106	Slater TS	TC
2107	Woodroffe TS	TC
2108	Otter Creek JCT	LC
2109	Pembroke TS	TC
2111	Petawawa JCT	LC
2113	Picton TS	TC
2114	Railton JCT	N,LC
2127	Smiths Falls TS	TC
2129	South March TS	N,TC
2130	St.Isidore TS	N,TC
2131	St.Lawrence TS	N,LC,TC
2136	Val Tetreau JCT	LC
2137	Wallace TS	TC
2141	Sidney TS	N,TC
2143	Lennox TS	N
2150	Harrowsmith JCT	N,LC
2151	Sharbot JCT	N,LC
2170	Nepean TS	TC
2172	NQL1 B JCT	N,LC
2173	Manordale JCT	LC
2175	Bridlewood JCT	N,LC
2179	Massanoga JCT	LC

Station Number	Station Name	Functional Category
2193	Des Joachims JCT	LC
2194	B5D-B31L SS JCT	N
2197	Crosby TS	TC
2237	Des Joachims TS	N,LC
2238	Stewartville TS	N,TC
2255	Long Reach West JCT	LC
2256	Long Reach East JCT	LC
2275	Gamble H9A JCT	LC
2284	Cumberland JCT	N,LC
2285	Saunders JCT	LC
2290	Haley Industries JCT	LC
2312	S7M STR 673N JCT	N,LC
2313	S7M STR R14-R15 JCT	LC
2329	19D684-1 JCT	LC
2330	Didsbury Road JCT	N,LC
2332	South March SS	N
2337	Northbrook JCT	LC
3001	Alliston TS	TC
3003	Barrie TS	TC
3004	Midhurst TS	TC
3006	Bruce B SS	N
3007	Bruce A TS	N
3008	Bruce HW Plant B TS	TC
3014	Cooper's Falls JCT	N,LC
3017	Essa TS	N
3018	Hanover TS	N,TC
3019	Meaford TS	TC
3021	Minden TS	N,TC
3022	Muskoka TS	TC
3023	Orangeville TS	N,TC
3024	Orillia TS	TC
3025	Owen Sound TS	N,TC
3028	Parry Sound TS	TC
3029	Stayner TS	N,TC
3032	Waubashene TS	TC
3034	Wingham TS	TC
3052	Douglas Point TS	TC
3054	Nobel SS	N
3065	Bracebridge TS	TC
3079	Everett TS	TC
4003	Allanburg TS	LC,TC
4007	Beamsville TS	TC

Filed: May 28, 2012

EB-2012-0031

Exhibit G2

Tab 1

Schedule 2

Page 6 of 11

Station Number	Station Name	Functional Category
4010	Brant TS	TC
4011	Brantford TS	TC
4013	Burlington TS	N,LC,TC
4014	Cumberland TS	TC
4017	Caledonia TS	LC,TC
4021	Crowland TS	TC
4027	Detweiler JCT	LC
4028	Detweiler TS	N,LC
4030	Dundas TS	TC
4031	Dunnville TS	TC
4032	Elmira TS	TC
4033	Fergus TS	TC
4035	Freeport SS	LC
4037	Galt TS	TC
4038	Gibson JCT	LC
4040	Nebo TS	TC
4044	Campbell TS	TC
4045	Cedar TS	TC
4046	Hanlon TS	TC
4049	Beach TS	N,LC,TC
4050	Birmingham TS	TC
4051	Elgin TS	TC
4052	Gage TS	TC
4053	Horning TS	TC
4054	Kenilworth TS	TC
4055	Lake TS	TC
4056	Mohawk TS	TC
4057	Newton TS	TC
4058	Stirton TS	TC
4060	Harper's JCT	LC
4061	Holland Road JCT	LC
4063	Horning Mountain JCT	LC
4070	Jarvis TS	TC
4071	Leong JCT	LC
4072	Louth JCT	LC
4074	Nanticoke TS	N
4078	Michigan JCT	LC
4081	Newport JCT	N,LC
4082	Murray TS	TC
4084	Stanley TS	TC
4085	Norfolk TS	TC
4087	Abit Cons NAN91 JCT	LC
4088	Port Colborne TS	TC

Station Number	Station Name	Functional Category
4091	Preston TS	LC,TC
4097	Beck #2 TS	N
4101	Bunting TS	TC
4102	Carlton TS	TC
4103	Glendale TS	LC,TC
4104	Vansickle TS	TC
4106	St.Anns JCT	LC
4108	Thorold TS	TC
4110	Vanessa JCT	LC
4111	Wallenstein JCT	LC
4119	Warner Road JCT	LC
4124	Allanburg Q30M JCT	LC
4130	Middleport TS	N
4154	C.G.E. JCT	LC
4165	Edgeware JCT	LC
4177	Palmerston TS	TC
4193	Cherry JCT	LC
4195	Hartford JCT	LC
4213	DeCew Falls SS	LC
4214	Beck #1 SS	LC
4230	Puslinch JCT	LC
4237	Imp Oil Nanticok JCT	LC
4256	Winona TS	TC
4257	Dundas TS #2	TC
4272	NOTL York MTS #1 JCT	LC
4289	Beach JCT	LC
5005	Algoma TS	N,LC
5011	Blind River TS	LC
5014	Cassels JCT	N,LC
5018	Cobden JCT	LC
5021	Commanda JCT	N,LC
5025	Creighton JCT	LC
5029	Dane JCT	N,LC
5031	Dymond TS	N,TC
5035	Elliot Lake TS	TC
5036	Espanola JCT	LC
5037	Espanola TS	TC
5038	Ethel Lake JCT	LC
5044	Fournier JCT	LC
5050	Hearst TS	TC
5052	Hunta SS	N
5056	Kapuskasing TS	N,TC

Filed: May 28, 2012

EB-2012-0031

Exhibit G2

Tab 1

Schedule 2

Page 8 of 11

Station Number	Station Name	Functional Category
5059	Larchwood TS	TC
5063	Manitoulin TS	TC
5065	Martindale TS	N,TC
5067	Massey JCT	LC
5069	McCrea JCT	LC
5071	Mississagi TS	N
5076	North Bay TS	TC
5078	Ogden JCT	LC
5079	Otter Rapids SS	LC
5080	Onaping JCT	LC
5087	Ramore TS	TC
5096	Clarabelle TS	TC
5103	Timmins TS	N,LC,TC
5105	Trout Lake TS	TC
5106	Turbine JCT	LC
5110	Verner JCT	N,LC
5111	Warkus JCT	N,LC
5113	Wawa TS	N
5118	C.P. North Bay JCT	N,LC
5120	Widdifield SS	N
5121	Crystal Falls TS	TC
5126	Nickel Basin JCT	LC
5127	Hanmer TS	N
5135	Espanola A JCT	LC
5148	Kirkland Lake TS	N,TC
5158	Porcupine TS	N
5159	Dome Site JCT	LC
5162	Pinard TS	N
5171	Spruce Falls TS	N
5206	Serpent River JCT	LC
5208	Gemini Smooth Rk JCT	N,LC
5220	Carmichael Falls JCT	N,LC
5227	Ansonville TS	N
5242	Coniston TS	TC
5243	Little Long SS	N
5244	Lower Notch JCT	GC
5245	Otto Holden TS	N,TC
5246	Abitibi Canyon SS	LC
5250	Gold Centre JCT	LC
5265	Gull Lake South JCT	N,LC
5297	Wawaitin JCT	LC
5301	Spanish JCT	LC

Station Number	Station Name	Functional Category
5303	Herridge Lake JCT	N,LC
5304	Red Rock GS JCT	LC
5306	Moosonee SS	LC,UN-L
5312	Calstock DS JCT	LC
5365	Knob JCT	N
5382	Timmins JCT	LC
5384	Smoky Falls SS	GC
5407	Crystal Falls SS	N
6013	Conmee JCT	LC
6016	Dryden TS	N,TC
6019	Forgie JCT	N,LC
6020	Fort Frances TS	N,TC
6022	Fort William TS	TC
6026	Ignace JCT	N,LC
6033	Kenora TS	N
6035	Lakehead TS	N
6036	Longlac TS	TC
6037	Mackenzie TS	N
6042	Manitouwadge TS	TC
6045	Marathon TS	N
6050	Moose Lake TS	N,TC
6052	Nipigon JCT	LC
6058	Pakwash JCT	LC
6060	Pic JCT	LC
6062	Port Arthur TS #1	N,LC,TC
6064	Birch TS	N,TC
6065	Rabbit Lake SS	N
6066	Red Lake TS	TC
6069	Reserve JCT	LC
6073	Scout Lake JCT	LC
6074	Selco JCT	LC
6084	Terrace Bay SS	N
6095	Alexander SS	N
6098	Whitedog Falls SS	LC
6107	Sapawe JCT	N,LC
6108	Shabaqua JCT	N,LC
6109	Shebandowan JCT	N,LC
6110	Kashabowie JCT	N,LC
6112	Marmion Lake JCT	LC
6115	Valora JCT	LC
6119	Slate Falls JCT	LC
6122	Vermilion Bay JCT	N,LC
6126	Minaki JCT	LC

Filed: May 28, 2012

EB-2012-0031

Exhibit G2

Tab 1

Schedule 2

Page 10 of 11

Station Number	Station Name	Functional Category
6128	Nestor Falls JCT	N,LC
6139	James Street JCT	LC
6143	Camp Lake JCT	LC
6152	Minnova JCT	LC
6166	Golden Patricia JCT	LC
6174	Thunder Bay SS	GC
6191	Aguasabon SS	N
6192	Ear Falls TS	LC,TC
6193	Pine Portage SS	N
6199	Ainsworth JCT	N,LC
6202	Murillo JCT	N,LC
6204	Jellicoe DS #3 JCT	LC
6216	Eton JCT	N,LC
6226	Angler Switch JCT	LC
6231	K3D-10 SW JCT	N,LC
6232	K6F-10 SW JCT	N,LC
6243	TCPL Vermill Bay JCT	N,LC
7001	Adelaide JCT	LC
7003	Aylmer TS	TC
7004	Belle River JCT	LC
7005	Biddulph JCT	LC
7006	Bostwick Road JCT	N,LC
7007	Buchanan TS	N,LC,TC
7009	Centralia TS	TC
7011	Chatham SS	N
7013	Cranberry JCT	LC
7015	Devizes JCT	LC
7017	Dundas Street JCT	LC
7018	Ennisbrook JCT	LC
7019	Essex TS	N,TC
7022	Goderich TS	TC
7025	Ingersoll TS	TC
7030	Duart TS	TC
7031	Kent TS	TC
7032	Kerwood JCT	LC
7035	Kingsville TS	TC
7036	Kirkton JCT	LC
7038	Lambton TS	TC
7039	Lambton TS #2	N
7040	Clarke TS	TC
7041	Highbury TS	TC
7042	Nelson TS	TC
7045	Talbot TS	TC

Station Number	Station Name	Functional Category
7047	Wonderland TS	TC
7048	Lucasville JCT	N,LC
7049	Lyons JCT	LC
7054	Oxford Street JCT	LC
7056	Nova SS	N
7057	Portland JCT	LC
7060	Modeland TS	TC
7062	St.Andrews TS	TC
7064	Sarnia Scott TS	N,LC
7065	Seaforth TS	LC,TC
7068	St.Marys TS	TC
7070	St.Thomas TS	TC
7071	Edgeware TS	TC
7073	Stratford TS	TC
7077	Strathroy TS	TC
7083	Tilbury TS	TC
7084	Tilsonburg TS	TC
7085	Tilbury JCT	LC
7087	Wallaceburg TS	TC
7088	Wanstead TS	TC
7092	Crawford TS	TC
7093	Lauzon TS	N,TC
7095	Malden TS	TC
7096	Walker TS #1	TC
7097	Woodslee JCT	LC
7098	Woodstock TS	TC
7120	Longwood TS	N,TC
7136	Cowal JCT	N,LC
7169	Keith TS	N,TC
7176	Plank Road JCT	LC
7177	Confederation Rd JCT	LC
7185	Grand Bend East JCT	LC
7199	W8T STR A1 JCT	LC
7214	Belle River TS	TC
7227	Toyota Woodstock TS	TC
7238	Karn TS	LC
7242	Spence SS	N

1

ALLOCATION FACTORS FOR DUAL FUNCTION LINES

Operation Designation	% Network	% Connection
A1B	82%	18%
A3RM	69%	31%
A4H	82%	18%
A5A	97%	3%
A5H	95%	5%
A6P	97%	3%
A8M	93%	7%
A9K	91%	9%
B18H	94%	6%
B1S	84%	16%
B20H	94%	6%
B22D	87%	13%
B23C	55%	45%
B23D	87%	13%
B27S	92%	8%
B4V	100%	0%
B5QK	54%	46%
B5V	100%	0%
B6M	94%	6%
B82V	43%	57%
B83V	43%	57%
C18R	72%	28%
C20R	68%	32%
C21J	91%	9%
C22J	91%	9%
C23Z	100%	0%
C24Z	100%	0%
C27P	100%	0%
C28C	82%	18%
C35P	85%	15%
C36P	87%	13%
C4R	73%	27%
C5R	72%	28%
C7BM	53%	47%
D2L	95%	5%
D2M	91%	9%
D3K	100%	0%
D4W	99%	1%
D5W	99%	1%
D6V	61%	39%

Operation Designation	% Network	% Connection
D7V	61%	39%
E8V	78%	22%
E9V	88%	12%
H23S	98%	2%
H24C	43%	57%
H24S	98%	2%
H26C	52%	48%
H6T	93%	7%
H7T	72%	28%
H9K	95%	5%
J3E	90%	10%
J4E	88%	12%
K23D	100%	0%
K38S	91%	9%
K3D	97%	3%
K6F	85%	15%
K7K	95%	5%
L1S	91%	9%
L20D	100%	0%
L20H	88%	12%
L21H	88%	12%
L22H	85%	15%
L23N	97%	3%
L24L	96%	4%
L25V	98%	2%
L26L	96%	4%
L27V	97%	3%
L28C	91%	9%
L29C	92%	8%
L5H	98%	2%
M20D	73%	27%
M21D	80%	20%
M23L	100%	0%
M24L	100%	0%
M27B	96%	4%
M28B	96%	4%
M29C	14%	86%
M2D	100%	0%
M30A	91%	9%
M31A	91%	9%
M31W	93%	7%
M32S	83%	17%

Operation Designation	% Network	% Connection
M32W	88%	12%
M33W	94%	6%
M6E	24%	76%
M7E	31%	69%
M80B	79%	21%
M81B	79%	21%
N1M	97%	3%
N21W	86%	14%
N22W	86%	14%
N2M	91%	9%
N5M	97%	3%
N6M	97%	3%
P21R	42%	58%
P22R	70%	30%
P25W	100%	0%
P26W	100%	0%
P3S	68%	32%
P4S	42%	58%
P91G	98%	2%
Q23BM	83%	17%
Q24HM	90%	10%
Q25BM	84%	16%
Q26M	94%	6%
Q29HM	90%	10%
Q30M	91%	9%
Q35M	94%	6%
Q6S	99%	1%
R14T	72%	28%
R17T	72%	28%
R19TH	45%	55%
R21TH	50%	50%
R9A	100%	0%
S22A	96%	4%
S2S	85%	15%
S7M	43%	57%
T1M	96%	4%
T36B	92%	8%
T37B	92%	8%
T38B	74%	26%
T39B	74%	26%
V41H	66%	34%
V41N	98%	2%

Operation Designation	% Network	% Connection
V42H	58%	42%
V43N	97%	3%
V71P	41%	59%
V72R	83%	17%
V74R	75%	25%
V75P	41%	59%
V76R	92%	8%
W3B	100%	0%
W42L	92%	8%
W43L	92%	8%
W44LC	86%	14%
W45LS	100%	0%
W6CS	89%	11%
W71D	100%	0%
X1H	98%	2%
X2H	85%	15%
X4H	89%	11%
Z1E	53%	47%
Z7E	53%	47%

**ALLOCATION FACTORS FOR GENERATOR
 LINE CONNECTIONS**

Operation Designation	Section #	From	To	% Generator	% Load
61M18	1	Seaforth 61M18 JCT	Constance DS	41%	59%
61M18	2	Constance DS	Goderich TS	50%	50%
61M18	3	Seaforth TS	Seaforth 61M18 JCT	41%	59%
A36N	1	Allanburg TS	Kalar JCT	37%	63%
A36N	3	Kalar JCT	Murray TS	37%	63%
A37N	1	Allanburg TS	Kalar JCT	37%	63%
A37N	3	Kalar JCT	Murray TS	37%	63%
A3RM	4	Ellwood JCT	Riverdale JCT	14%	86%
A3RM	6	Riverdale JCT	Riverdale TS	14%	86%
A4H	3	Fournier JCT	Fournier JCT	72%	28%
A4H	4	Hunta SS	LSR MSO JCT	100%	0%
A4H	6	Fournier JCT	Power JCT	72%	28%
A4K	1	Hawthorne TS	Blackburn JCT	14%	86%
A4K	2	Blackburn JCT	Cyrville Rd JCT	14%	86%
A4K	3	Cyrville JCT	Moulton JCT	14%	86%
A4K	9	Moulton JCT	Overbrook TS	14%	86%
A4K	11	Cyrville Rd JCT	Cyrville JCT	14%	86%
A4L	1	Alexander SS	C.P. Nipigon JCT	71%	29%
A4L	11	C.P. Nipigon JCT	C.P. Nipigon CGS	100%	0%
A5H	18	C.P. Tunis JCT	C.P. Tunis JCT	100%	0%
A5RK	1	Hawthorne TS	Blackburn JCT	14%	86%
A5RK	2	Blackburn JCT	Russell TS	14%	86%
A5RK	3	Russell TS	Riverdale JCT	14%	86%
A5RK	4	Riverdale JCT	Riverdale TS	14%	86%
A5RK	6	Riverdale JCT	Overbrook TS	14%	86%
A6R	1	Hawthorne TS	Blackburn JCT	14%	86%
A6R	2	Blackburn JCT	Russell TS	14%	86%
A6R	3	Russell TS	Riverdale JCT	14%	86%
A6R	4	Riverdale JCT	OHSC JCT	14%	86%
A6R	5	OHSC JCT	Riverdale TS	14%	86%
A6R	6	OHSC JCT	OHSC JCT	100%	0%
B22D	8	Majestic JCT	Majestic CTS	100%	0%
B23D	8	Majestic JCT	Majestic CTS	100%	0%
B4V	6	Underwood JCT	Underwood CGS	100%	0%
B5V	4	Underwood JCT	Underwood CGS	100%	0%
C14L	1	Cherrywood TS	Scarboro JCT	22%	78%
C14L	2	Scarboro JCT	Bermondsey TS	22%	78%
C14L	3	Bermondsey TS	Leaside TS	22%	78%

Operation Designation	Section #	From	To	% Generator	% Load
C15L	1	Cherrywood TS	Sheppard TS	23%	77%
C15L	2	Sheppard TS	Scarboro JCT	23%	77%
C15L	3	Scarboro JCT	Leaside TS	23%	77%
C16L	1	Cherrywood TS	Sheppard TS	22%	78%
C16L	2	Sheppard TS	Leaside TS	22%	78%
C17L	1	Cherrywood TS	Scarboro JCT	22%	78%
C17L	2	Bermondsey TS	Leaside TS	22%	78%
C17L	3	Scarboro JCT	Bermondsey TS	22%	78%
C1A	1	Cameron Falls GS	Alexander SS	100%	0%
C1A	2	Alexander SS	Alexander GS	100%	0%
C1A	3	Alexander SS	Alexander SS	100%	0%
C23Z	7	Comber WF JCT	Comber WF CTS	100%	0%
C24Z	4	KEPA Wind Farm JCT	Port Alma WF CSS	100%	0%
C24Z	6	Comber WF JCT	Comber WF CTS	100%	0%
C27P	5	Galetta JCT	Arnprior GS	100%	0%
C2A	1	Cameron Falls GS	Alexander SS	100%	0%
C2A	2	Alexander SS	Alexander GS	100%	0%
C2A	3	Alexander SS	Alexander SS	100%	0%
C2H	1	Abitibi Canyon SS	C2H C3H JCT	95%	5%
C2H	2	Island Falls JCT	Greenwater Pr Pk JCT	95%	5%
C2H	4	Abitibi Canyon SS	C2H C3H JCT	95%	5%
C2H	5	Island Falls JCT	Greenwater Pr Pk JCT	95%	5%
C2H	6	Hunta C2H C3H JCT	Hunta SS	95%	5%
C2H	8	C2H C3H JCT	Island Falls JCT	95%	5%
C2H	9	C2H C3H JCT	Island Falls JCT	95%	5%
C2H	10	Greenwater Pr Pk JCT	Hunta C2H C3H JCT	95%	5%
C2H	11	Greenwater Pr Pk JCT	Hunta C2H C3H JCT	95%	5%
C2H	12	C2H C3H JCT	C2H C3H JCT	95%	5%
C2H	13	Island Falls JCT	Island Falls JCT	95%	5%
C2H	14	Greenwater Pr Pk JCT	Greenwater Pr Pk JCT	95%	5%
C2H	15	Hunta C2H C3H JCT	Hunta C2H C3H JCT	95%	5%
C2L	5	Cherrywood TS	Ellesmere JCT	23%	77%
C2L	6	Ellesmere JCT	Scarboro JCT	23%	77%
C2L	7	Scarboro JCT	Leaside TS	23%	77%
C3A	1	Cameron Falls GS	Alexander SS	100%	0%
C3A	2	Alexander SS	Alexander GS	100%	0%
C3A	3	Alexander SS	Alexander SS	100%	0%
C3H	1	Abitibi Canyon SS	C2H C3H JCT	95%	5%
C3H	2	Island Falls JCT	Greenwater Pr Pk JCT	95%	5%
C3H	3	Abitibi Canyon SS	C2H C3H JCT	95%	5%
C3H	4	Island Falls JCT	Greenwater Pr Pk JCT	95%	5%
C3H	5	Hunta C2H C3H JCT	Hunta SS	95%	5%

Operation Designation	Section #	From	To	% Generator	% Load
C3H	7	C2H C3H JCT	Island Falls JCT	95%	5%
C3H	8	C2H C3H JCT	Island Falls JCT	95%	5%
C3H	9	Greenwater Pr Pk JCT	Hunta C2H C3H JCT	95%	5%
C3H	10	Greenwater Pr Pk JCT	Hunta C2H C3H JCT	95%	5%
C3H	11	C2H C3H JCT	C2H C3H JCT	95%	5%
C3H	12	Island Falls JCT	Island Falls JCT	95%	5%
C3H	13	Greenwater Pr Pk JCT	Greenwater Pr Pk JCT	95%	5%
C3H	14	Hunta C2H C3H JCT	Hunta C2H C3H JCT	95%	5%
C3L	4	Leaside Str 4-5 JCT	Leaside TS	22%	78%
C3L	5	Cherrywood TS	Ellesmere JCT	22%	78%
C3L	6	Ellesmere JCT	Scarboro JCT	22%	78%
C3L	7	Scarboro JCT	Leaside Str 4-5 JCT	22%	78%
C3L	10	Leaside Str 4-5 JCT	Leaside TS	22%	78%
C7BM	3	Chats Falls SS	Fitzroy JCT	100%	0%
D10S	1	DeCew Falls SS	Hooper's JCT	37%	63%
D10S	2	Hooper's JCT	Vansickle TS	37%	63%
D10S	3	Vansickle TS	Louth JCT	37%	63%
D10S	4	Louth JCT	Glendale TS	37%	63%
D1A	1	Holland Road JCT	Allanburg TS	37%	63%
D1A	2	Fibre JCT	Holland Road JCT	37%	63%
D1A	3	Gibson JCT	Fibre JCT	37%	63%
D1A	4	St.Johns Valley JCT	Gibson JCT	37%	63%
D1A	5	Hooper's JCT	St.Johns Valley JCT	37%	63%
D1A	6	DeCew Falls SS	Hooper's JCT	37%	63%
D3A	1	Fibre JCT	Allanburg TS	37%	63%
D3A	2	St.Johns Valley JCT	Gibson JCT	37%	63%
D3A	3	Hooper's JCT	St.Johns Valley JCT	37%	63%
D3A	4	DeCew Falls SS	Hooper's JCT	37%	63%
D3A	8	Gibson JCT	Fibre JCT	37%	63%
D9HS	1	DeCew Falls SS	Hooper's JCT	37%	63%
D9HS	2	Hooper's JCT	Vansickle TS	37%	63%
D9HS	3	Vansickle TS	Louth JCT	37%	63%
D9HS	9	Louth JCT	Glendale TS	37%	63%
E4D	1	Ear Falls TS	Scout Lake JCT	52%	48%
E4D	2	Scout Lake JCT	Dryden TS	52%	48%
E8F	1	Essex TS	Chrysler WAP MTS	62%	38%
E8F	2	Chrysler WAP MTS	G.M.Windsor MTS	79%	21%
E8F	3	G.M.Windsor MTS	Ford Annex MTS	80%	20%
E8F	4	Ford Annex MTS	Ford Windsor MTS	85%	15%
E8F	5	Ford Windsor MTS	East Windsor CGS	100%	0%
E9F	1	Essex TS	Chrysler WAP MTS	62%	38%
E9F	2	Chrysler WAP MTS	G.M.Windsor MTS	79%	21%

Operation Designation	Section #	From	To	% Generator	% Load
E9F	3	G.M.Windsor MTS	Ford Annex MTS	80%	20%
E9F	4	Ford Annex MTS	Ford Windsor MTS	85%	15%
E9F	5	Ford Windsor MTS	East Windsor CGS	100%	0%
F1E	1	Kapuskasing TS	AP Calstock CSS JCT	65%	35%
F1E	4	AP Calstock CSS JCT	A.P. Calstock CSS	100%	0%
F1E	5	AP Calstock CSS JCT	Nagagami CSS JCT	46%	54%
F1E	6	Nagagami CSS JCT	Nagagami CSS	91%	9%
H11L	1	Hearn SS	Waverly OPF	63%	37%
H11L	2	Main TS	Lumsden JCT	63%	37%
H11L	3	Lumsden JCT	Todmorden JCT	63%	37%
H11L	4	Todmorden JCT	Leaside TS	63%	37%
H11L	7	Waverly OPF	Brookside OPF	63%	37%
H11L	8	Brookside OPF	Main TS	63%	37%
H12P	1	Hearn SS	Portlands Energy JCT	100%	0%
H13P	1	Hearn SS	Portlands Energy JCT	100%	0%
H14P	1	Hearn SS	Portlands Energy JCT	100%	0%
H1L	1	Hearn SS	Basin TS	63%	37%
H1L	2	Basin TS	Mill Street JCT	63%	37%
H1L	3	Mill Street JCT	Gerrard TS	63%	37%
H1L	4	Gerrard TS	Bloor Street JCT	63%	37%
H1L	5	Bloor Street JCT	Leaside TS	63%	37%
H22D	1	Harmon GS	Harmon JCT	100%	0%
H22D	2	Harmon JCT	Little Long JCT	100%	0%
H22D	3	Little Long JCT	Pinard TS	100%	0%
H24S	7	C.P. North Bay JCT	C.P. North Bay JCT	100%	0%
H26C	6	Columbus JCT	Lasco JCT	19%	81%
H26C	10	Lasco JCT	Atlantic Packgng JCT	35%	65%
H26C	12	Atlantic Packgng JCT	Whitby CGS JCT	37%	63%
H26C	19	Whitby CGS JCT	Whitby CGS	100%	0%
H3L	1	Hearn SS	Basin TS	63%	37%
H3L	2	Basin TS	Mill Street JCT	63%	37%
H3L	3	Mill Street JCT	Gerrard TS	63%	37%
H3L	5	Gerrard TS	Bloor Street JCT	63%	37%
H3L	6	Bloor Street JCT	Leaside TS	63%	37%
H3L	9	Gerrard TS	Bloor Street JCT	63%	37%
H6LC	1	Hearn SS	Don Fleet JCT	49%	51%
H6LC	2	Gerrard JCT	Bloor Street JCT	49%	51%
H6LC	3	Bloor Street JCT	Leaside TS	49%	51%
H6LC	4	Gerrard JCT	Cecil TS	49%	51%
H6LC	5	Don Fleet JCT	Gerrard JCT	49%	51%
H7L	1	Hearn SS	Waverly OPF	63%	37%
H7L	2	Main TS	Lumsden JCT	63%	37%

Operation Designation	Section #	From	To	% Generator	% Load
H7L	3	Lumsden JCT	Todmorden JCT	63%	37%
H7L	4	Todmorden JCT	Leaside TS	63%	37%
H7L	7	Waverly OPF	Brookside OPF	63%	37%
H7L	8	Brookside OPF	Main TS	63%	37%
H8LC	1	Hearn SS	Don Fleet JCT	49%	51%
H8LC	2	Gerrard JCT	Bloor Street JCT	49%	51%
H8LC	3	Bloor Street JCT	Leaside TS	49%	51%
H8LC	4	Gerrard JCT	Cecil TS	49%	51%
H8LC	5	Don Fleet JCT	Gerrard JCT	49%	51%
H9K	9	Gemini Smooth Rk JCT	Gemini Smooth Rk CGS	99%	1%
H9K	11	Carmichael Falls JCT	Carmichael Falls JCT	100%	0%
J1B	1	Keith TS	Brighton Intface JCT	100%	0%
J20B	1	Keith TS	Brighton Intface JCT	100%	0%
J2N	1	Keith TS	W.Windsor Power JCT	100%	0%
K2	1	Kirkland Lake TS	Gull Lake North JCT	88%	12%
K2	2	Gull Lake North JCT	Gull Lake South JCT	88%	12%
K2Z	4	Woodslee JCT	Lauzon JCT	25%	75%
K2Z	6	Woodslee JCT	Gosfield CGS JCT	29%	71%
K2Z	12	Lauzon JCT	Lauzon TS	21%	79%
K2Z	17	Gosfield CGS JCT	Gosfield Wind CGS	100%	0%
K3	1	Kapuskasing TS	Kapuskasing R Jct	100%	0%
K38S	3	Spruce Falls JCT	C.P. Kapuskasing JCT	100%	0%
K4W	1	Rabbit Lake SS	Minaki JCT	96%	4%
K4W	2	Minaki JCT	Whitedog Falls SS	96%	4%
K5W	1	Rabbit Lake SS	Minaki JCT	96%	4%
K5W	3	Minaki JCT	Whitedog Falls SS	96%	4%
K6Z	3	Belle River JCT	Rourke Line JCT	28%	72%
K6Z	5	Lauzon JCT	Lauzon TS	24%	76%
K6Z	6	Rourke Line JCT	Lauzon JCT	24%	76%
K6Z	11	Pte-Aux-RochesWF JCT	Belle River JCT	28%	72%
K6Z	12	Pte-Aux-RochesWF JCT	Pte-Aux-RochesWF CGS	100%	0%
L12C	1	Leaside TS	Balfour JCT	49%	51%
L12C	2	Balfour JCT	Charles TS	49%	51%
L12C	3	Charles TS	Cecil TS	49%	51%
L1MB	4	St.Lawrence TS	Lunenburg JCT	63%	37%
L1MB	5	Lunenburg JCT	Morrisburg JCT	63%	37%
L1MB	6	Morrisburg JCT	Casco JCT	63%	37%
L1MB	15	Casco JCT	Cardinal Power CSS	63%	37%
L20D	1	Little Long JCT	Kipling GS	100%	0%
L2M	4	St.Lawrence TS	Lunenburg JCT	63%	37%
L2M	5	Lunenburg JCT	Morrisburg JCT	63%	37%
L2M	8	Morrisburg JCT	Casco JCT	63%	37%

Operation Designation	Section #	From	To	% Generator	% Load
L2M	13	Casco JCT	Cardinal Power CSS	63%	37%
L9C	1	Leaside TS	Balfour JCT	49%	51%
L9C	2	Balfour JCT	Charles TS	49%	51%
L9C	3	Charles TS	Cecil TS	49%	51%
M1S	1	Moose Lake TS	Valerie Falls JCT	79%	21%
M1S	2	Mill Creek JCT	H2O Pwr SturgFls CGS	70%	30%
M1S	4	Mill Creek JCT	H2O Pwr Calm Lk CGS	100%	0%
M1S	6	Valerie Falls JCT	Mill Creek JCT	79%	21%
M23L	4	Greenwich WF CGS JCT	Greenwich LakeWF CSS	100%	0%
M24L	4	Greenwich WF CGS JCT	Greenwich LakeWF CSS	100%	0%
M2W	1	Marathon TS	Pic JCT	28%	72%
M2W	2	Pic JCT	Manitouwadge JCT	28%	72%
M2W	6	Manitouwadge JCT	Manitouwadge TS	30%	70%
M2W	8	Marathon TS	Black River JCT	42%	58%
M2W	16	Black River JCT	Umbata Falls JCT	42%	58%
M3E	1	Manitou Falls GS	Ear Falls TS	100%	0%
N6S	1	Sarnia Scott TS	Sarnia Scott JCT	38%	62%
N6S	3	Sarnia Scott JCT	Lanxess Inc JCT	38%	62%
N6S	4	Lanxess Inc JCT	TransAlta Energy JCT	38%	62%
N6S	9	TransAlta Energy JCT	TransAlta Energy JCT	38%	62%
N7S	1	Sarnia Scott TS	Sarnia Scott JCT	38%	62%
N7S	2	Sarnia Scott JCT	Lanxess Inc JCT	38%	62%
N7S	3	Lanxess Inc JCT	TransAlta Energy JCT	38%	62%
N7S	7	TransAlta Energy JCT	TransAlta Energy JCT	38%	62%
N93A	1	Atikokan TGS	Marmion Lake JCT	100%	0%
N93A	2	Marmion Lake JCT	Mackenzie TS	100%	0%
P25W	3	Aubrey Falls JCT	Aubrey Falls CGS	100%	0%
P26W	3	Aubrey Falls JCT	Aubrey Falls CGS	100%	0%
P27C	1	Pickering B SS	Cherrywood TS	100%	0%
P30C	1	Pickering B SS	Cherrywood TS	100%	0%
P31C	1	Pickering B SS	Cherrywood TS	100%	0%
P32C	1	Pickering B SS	Cherrywood TS	100%	0%
P5M	1	Port Arthur TS #1	Conmee JCT	56%	44%
P6C	1	Pickering A SS	Cherrywood TS	100%	0%
P7C	1	Pickering A SS	Cherrywood TS	100%	0%
P8C	1	Pickering A SS	Cherrywood TS	100%	0%
P9C	1	Pickering A SS	Cherrywood TS	100%	0%
Q11S	1	Beck #1 SS	Warner Road JCT	37%	63%
Q11S	2	Warner Road JCT	McKinnon's JCT	37%	63%
Q11S	3	McKinnon's JCT	Glendale JCT	37%	63%
Q11S	4	Glendale JCT	Glendale TS	37%	63%
Q12S	1	Beck #1 SS	NOTL York MTS #1 JCT	37%	63%

Operation Designation	Section #	From	To	% Generator	% Load
Q12S	2	Glendale JCT	Glendale TS	37%	63%
Q12S	4	NOTL York MTS #1 JCT	Glendale JCT	37%	63%
Q26M	3	Crossline JCT	Allanburg TS	37%	63%
Q28A	1	Beck #2 TS	Abit Cons NAN91 JCT	36%	64%
Q28A	2	Abit Cons NAN91 JCT	Allanburg TS	37%	63%
Q2AH	1	Beck #1 Q2AH JCT	Holland Road JCT	37%	63%
Q2AH	2	Holland Road JCT	Allanburg TS	37%	63%
Q2AH	26	Beck #1 SS	Beck #1 Q2AH JCT	37%	63%
Q30M	6	Allanburg Q30M JCT	Allanburg TS	37%	63%
Q35M	3	Crossline JCT	Allanburg TS	37%	63%
Q4B	1	Thunder Bay SS	Abitibi JCT	100%	0%
Q4B	2	Abitibi JCT	James Street JCT	100%	0%
Q4B	3	James Street JCT	St.Paul JCT	75%	25%
Q4B	4	St.Paul JCT	Walsh Street JCT	75%	25%
Q4B	5	Walsh Street JCT	Birch TS	66%	34%
Q4N	1	Beck #1 SS	Stanley TS	37%	63%
Q4N	2	Stanley TS	Portal JCT	37%	63%
Q4N	3	Portal JCT	Dresser JCT	37%	63%
Q4N	4	Dresser JCT	Niagara JCT	37%	63%
Q4N	8	Niagara JCT	Murray TS	37%	63%
Q4N	9	Niagara JCT	Murray TS	37%	63%
Q5B	1	Thunder Bay SS	Abitibi JCT	66%	34%
Q5B	2	Abitibi JCT	James Street JCT	66%	34%
Q5B	3	James Street JCT	St.Paul JCT	66%	34%
Q5B	4	St.Paul JCT	Walsh Street JCT	66%	34%
Q5B	5	Walsh Street JCT	Birch TS	66%	34%
Q6S	6	Odessa JCT	Invista JCT	100%	0%
Q8B	1	Thunder Bay SS	Birch TS	66%	34%
Q9B	1	Thunder Bay SS	Birch TS	100%	0%
R21D	1	Otter Rapids SS	Pinard JCT	100%	0%
R21D	2	Pinard JCT	Pinard TS	100%	0%
R21D	3	Pinard JCT	Abitibi Canyon GS	100%	0%
R21D	4	Otter Rapids GS	Otter Rapids SS	100%	0%
R9A	2	Alexander SS	Alexander GS	100%	0%
S1C	1	Conmee JCT	Lac Des Iles JCT	56%	44%
S1C	2	Lac Des Iles JCT	Silver Falls GS	100%	0%
S25L	2	Saunders JCT	St.Lawrence TS	100%	0%
S26L	2	Saunders JCT	St.Lawrence TS	100%	0%
S2B	14	Cutler JCT	Serpent River JCT	6%	94%
S2B	24	Spanish JCT	Cutler JCT	6%	94%
S2B	25	Serpent River JCT	Carmeuse Lime JCT	10%	90%
S2B	27	Carmeuse Lime JCT	Blind River TS JCT	10%	90%

Operation Designation	Section #	From	To	% Generator	% Load
S2B	30	Cameron Falls JCT	Spanish JCT	6%	94%
S2B	33	Blind River TS JCT	Algoma TS	10%	90%
S30L	2	Saunders JCT	St.Lawrence TS	100%	0%
S32L	2	Saunders JCT	St.Lawrence TS	100%	0%
S3S	1	Smoky Falls SS	KAP LMRP JCT	100%	0%
S3S	3	KAP LMRP JCT	Kapuskasing R Jct	100%	0%
S4S	1	Smoky Falls SS	Kapuskasing R Jct	100%	0%
T1B	1	Rayner CGS	Wharncliffe JCT	100%	0%
T1B	2	Sowerby JCT	Red Rock CGS	86%	14%
T1B	3	Red Rock CGS	Cobden JCT	86%	14%
T1B	4	Cobden JCT	Striker DS	73%	27%
T1B	5	Striker DS	Algoma TS	64%	36%
T1B	8	Wharncliffe JCT	Sowerby JCT	90%	10%
T27P	1	Wells CGS	Mississagi TS	100%	0%
T27P	2	Mississagi TS	Mississagi TS	100%	0%
T28P	1	Wells CGS	Mississagi TS	100%	0%
T38B	3	Lantz JCT	Trafalgar DESN JCT	66%	34%
T38B	4	Hornby JCT	TCE Halton Hills JCT	66%	34%
T38B	6	Trafalgar DESN JCT	Hornby JCT	66%	34%
T38B	9	TCE Halton Hills JCT	TCE Halton Hills JCT	66%	34%
T39B	3	Lantz JCT	Trafalgar DESN JCT	66%	34%
T39B	4	Hornby JCT	TCE Halton Hills JCT	66%	34%
T39B	6	Trafalgar DESN JCT	Hornby JCT	66%	34%
T39B	9	TCE Halton Hills JCT	TCE Halton Hills JCT	66%	34%
V41H	6	Sithe Goreway JCT	Sithe Goreway JCT	15%	85%
V41N	4	St.Clair E.C. JCT	St.Clair E.C. CGS	100%	0%
V42H	7	Sithe Goreway JCT	Sithe Goreway JCT	15%	85%
V43N	7	St.Clair E.C. JCT	St.Clair E.C. CGS	100%	0%
W2	1	Whitedog Falls GS	Whitedog Falls SS	97%	3%
W3C	1	Whitedog Falls SS	Caribou Falls GS	100%	0%
W71D	4	Lower Notch JCT	Lower Notch GS	100%	0%
W71D	5	Lower Notch JCT	Lower Notch GS	100%	0%
X1H	8	NPIF Kingston JCT	NPIF Kingston JCT	100%	0%
X1P	1	Massanoga JCT	Dobbin TS	66%	34%
X1P	2	Mountain Chute JCT	Massanoga JCT	67%	33%
X1P	3	Chenau TS	Mountain Chute JCT	64%	36%
X1P	4	Mountain Chute JCT	Mountain Chute GS	100%	0%
X2H	9	NPIF Kingston JCT	NPIF Kingston JCT	100%	0%
X4H	4	Westbrook JCT	Gardiner STR 44 JCT	53%	47%
X4H	6	Gardiner STR 44 JCT	Gardiner TS	53%	47%
Z1E	7	Windsor Transalt JCT	Windsor Transalt CGS	100%	0%

1
 2

**ALLOCATION FACTORS FOR
 GENERATOR STATION CONNECTIONS**

Parent ID	Station Name	Pool	% Generator	% Load
91	Abitibi Canyon SS	LC	95%	5%
1003	Abitibi Consolidated NAN91 JCT	LC	36%	64%
549	Algoma TS	LC	28%	72%
1007	Allanburg Q30M JCT	LC	37%	63%
5354	Allanburg TS	LC	37%	63%
1013	Balfour JCT	LC	39%	61%
1019	Belle River JCT	LC	28%	72%
1021	Billings JCT	LC	13%	87%
1023	Bloor Street JCT	LC	42%	58%
915	Brookside OPF	LC	63%	37%
1031	Calstock DS JCT	LC	91%	9%
1063	Capital Power Income LP North Bay JCT	N,LC	76%	24%
1033	Carmichael Falls JCT	N,LC	88%	12%
7566	Chenau TS	LC	64%	36%
1036	Claireville JCT	LC	15%	85%
1038	Cobden JCT	LC	73%	27%
1220	Conmee JCT	LC	56%	44%
1046	Cyrville JCT	LC	12%	88%
1050	Dane JCT	N,LC	100%	0%
3879	DeCew Falls SS	LC	37%	63%
232	Ear Falls TS	TC	88%	12%
3401	Ear Falls TS	LC	52%	48%
1069	Fitzroy JCT	N,LC	53%	47%
1073	Fournier JCT	LC	76%	24%
1169	Gemini Smooth Rock JCT	N,LC	88%	12%
1079	Gerrard JCT	LC	49%	51%
1080	Gibson JCT	LC	37%	63%
2047	Goderich TS	TC	50%	50%
1089	Gull Lake South JCT	N,LC	88%	12%
1098	Holland Road JCT	LC	37%	63%
1103	James Street JCT	LC	66%	34%
1114	Louth JCT	LC	37%	63%
1117	Lumsden JCT	LC	63%	37%
1118	Lunenburg JCT	LC	63%	37%
6689	Manitouwadge TS	TC	32%	68%
3828	Marmion Lake JCT	LC	100%	0%
1125	Massanoga JCT	LC	66%	34%
1132	Milltown JCT	N,LC	96%	4%

Parent ID	Station Name	Pool	% Generator	% Load
1133	Minaki JCT	LC	96%	4%
1135	Morrisburg JCT	LC	63%	37%
888	NQL1 B JCT	N,LC	53%	47%
1141	Niagara-on-the-Lake York MTS #1 JCT	LC	37%	63%
1142	Odessa JCT	N,LC	96%	4%
7665	Otter Rapids SS	LC	92%	8%
1149	Pic JCT	LC	19%	81%
6952	R.L. Hearn SS	LC	42%	58%
1158	Saunders JCT	LC	100%	0%
1159	Scout Lake JCT	LC	52%	48%
196	Seaforth TS	LC	18%	82%
1161	Serpent River JCT	LC	10%	90%
2942	Sir Adam Beck #1 SS	LC	37%	63%
1166	Spanish JCT	LC	6%	94%
1167	St. Anns JCT	LC	37%	63%
3450	St. Catharines Glendale TS	LC	37%	63%
218	St. Lawrence TS	LC	63%	37%
1173	Todmorden JCT	LC	63%	37%
1107	Toronto Cecil TS	LC	49%	51%
5418	Toronto Leaside TS	LC	21%	79%
1187	Warner Road JCT	LC	37%	63%
896	Waverly OPF	LC	63%	37%
4	Whitedog Falls SS	LC	96%	4%
1190	Woodslee JCT	LC	25%	75%

ASSET VALUE BY FUNCTIONAL CATEGORY

1
 2
 3

(mid-year average)

Functional Category	Gross Book Value (\$ Million)		Net Book Value (\$ Million)	
	2013	2014	2013	2014
Network	6,675.5	7,046.3	4,509.7	4,774.6
Line Connection	1,480.5	1,577.2	987.8	1,052.1
Transformation Connection	2,931.1	3,139.8	1,917.0	2,076.0
Wholesale Meter	5.0	3.8	3.3	2.5
Network - Dual Function Line	796.3	817.0	561.8	572.4
Line Connection - Dual Function Line	173.0	177.5	121.5	123.9
Generator Line Connection	259.6	274.2	177.3	187.5
Generator Station Connection	53.4	59.7	34.9	39.4
Common	1,870.9	2,046.3	1,007.3	1,102.9
Other	181.3	187.4	123.2	127.1
TOTAL	14,426.6	15,329.2	9,443.9	10,058.2

4

DEPRECIATION BY FUNCTIONAL CATEGORY

(Includes Depreciation of Fixed Assets, Capitalized Depreciation and Asset Removal Costs)

Functional Category	(\$ Million)	
	2013	2014
Network	133.0	144.7
Line Connection	25.6	28.6
Transformation Connection	65.1	71.5
Wholesale Meter	0.1	0.1
Network - Dual Function Line	12.2	13.0
Line Connection - Dual Function Line	2.7	2.8
Generator Line Connection	4.7	5.2
Generator Station Connection	1.2	1.4
Common	94.8	99.0
Other	3.1	3.3
TOTAL	342.5	369.6

1

2

3

4

RETURN ON CAPITAL AND INCOME TAXES

1
 2
 3

By Functional Category

Functional Category	Capital (\$ Million)	
	2013	2014
Network	316.8	341.8
Line Connection	69.4	75.3
Transformation Connection	134.7	148.7
Wholesale Meter	0.2	0.2
Network - Dual Function Line	39.5	41.0
Line Connection - Dual Function Line	8.5	8.9
Generator Line Connections	12.5	13.4
Generator Station Connections	2.5	2.8
Common	71.1	79.3
Other	8.7	9.1
TOTAL	663.8	720.5

4

OM&A COSTS BY FUNCTIONAL CATEGORY

(excludes Property Tax and Rights)

Functional Category	(\$ Million)	
	2013	2014
Network	114.2	116.0
Line Connection	19.2	19.8
Transformation Connection	58.7	59.8
Wholesale Revenue Meter	0.6	0.4
Network - Dual Function Line	15.3	15.7
Line Connection - Dual Function Line	3.3	3.4
Generator Line Connection	3.5	3.5
Generator Transformation Connection	2.1	2.2
Common	150.2	153.1
Other	13.3	13.4
TOTAL	380.3	387.4

1
 2
 3
 4

2013 DETAILED REVENUE REQUIREMENT BY RATE POOL

	Rate Pool Revenue Requirement (\$ Million)				
	Network	Line Connection	Transformation Connection	Wholesale Meter	Total
OM&A	237.0	39.6	103.1	0.60	380.3
Taxes Other Than Income Taxes	45.5	9.5	16.5	0.02	71.5
Depreciation of Fixed Assets	195.6	36.0	85.4	0.10	317.0
Capitalized Depreciation	-6.2	-1.3	-2.3	0.00	-9.8
Asset Removal Costs	22.2	4.7	8.4	0.01	35.3
Other Amortization	3.9	0.8	1.4	0.00	6.1
Return on Debt	174.5	36.6	63.3	0.10	274.5
Return on Equity	220.3	46.2	79.9	0.12	346.6
Income Taxes	27.1	5.7	9.8	0.01	42.7
SUB-TOTAL	919.9	177.9	365.5	0.97	1464.3
Less Regulatory Asset Credit	-9.4	-1.8	-3.7	-0.01	-15.0
Less Non-Rate Revenue	-19.9	-3.8	-7.9	-0.02	-31.6
Less Export Revenues	-31.0	0.0	0.0	0.00	-31.0
Plus LVSG Credit	0.0	0.0	11.8	0.00	11.8
TOTAL	859.6	172.3	365.7	0.94	1398.5

3
 4
 5

2014 DETAILED REVENUE REQUIREMENT BY RATE POOL

	Rate Pool Revenue Requirement (\$ Million)				
	Network	Line Connection	Transformation Connection	Wholesale Meter	Total
OM&A	241.2	40.7	105.1	0.43	387.4
Taxes Other Than Income Taxes	45.7	9.6	17.0	0.02	72.3
Depreciation of Fixed Assets	207.1	39.0	91.4	0.08	337.5
Capitalized Depreciation	-6.2	-1.3	-2.4	0.00	-9.8
Asset Removal Costs	26.2	5.6	10.1	0.01	41.9
Other Amortization	4.3	0.9	1.6	0.00	6.9
Return on Debt	182.6	38.5	68.0	0.07	289.2
Return on Equity	240.2	50.7	89.5	0.10	380.4
Income Taxes	32.2	6.8	12.0	0.01	50.9
SUB-TOTAL	973.2	190.5	392.2	0.71	1556.6
Less Regulatory Asset Credit	-9.3	-1.8	-3.8	-0.01	-15.0
Less Non-Rate Revenue	-19.9	-3.9	-8.0	-0.01	-31.8
Less Export Revenues	-30.1	0.0	0.0	0.00	-30.1
Plus LVSG Credit	0.0	0.0	12.5	0.00	12.5
TOTAL	913.9	184.8	392.9	0.69	1492.3

6